



**Profresco**

OUTDOOR LIVING





PROLINE 6 AERO Anthracite

## OUTDOOR LIVING AT ITS FINEST

A collective of designers and craftsmen with a passion for all things alfresco. Our team has over 25 years experience in landscape design and construction, fabrication, product design and sourcing - We are ProFresco.

Offering a uniquely fresh and professional approach to outdoor living space for our clients. We work alongside homeowners, architects and developers to create luxury outdoor entertaining areas.

Specialising in outdoor kitchens, bars, dining and relaxation areas within our all-weather pergola system provides the ultimate outdoor room. We also provide a full landscape design and project management service.

So, whether it's a city roof garden, suburban terrace or rural mansion we will draw on our years of landscape design, construction and product knowledge to deliver an alfresco space that you will be proud of for many years to come.

Today, we bring you the best of what we have learnt over the years. Seven contemporary, durable and stylish kitchens in a choice of colours. No expensive design work or architect drawings are required to achieve timeless style of a ProFresco kitchen.

 ProFresco





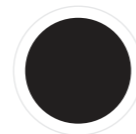
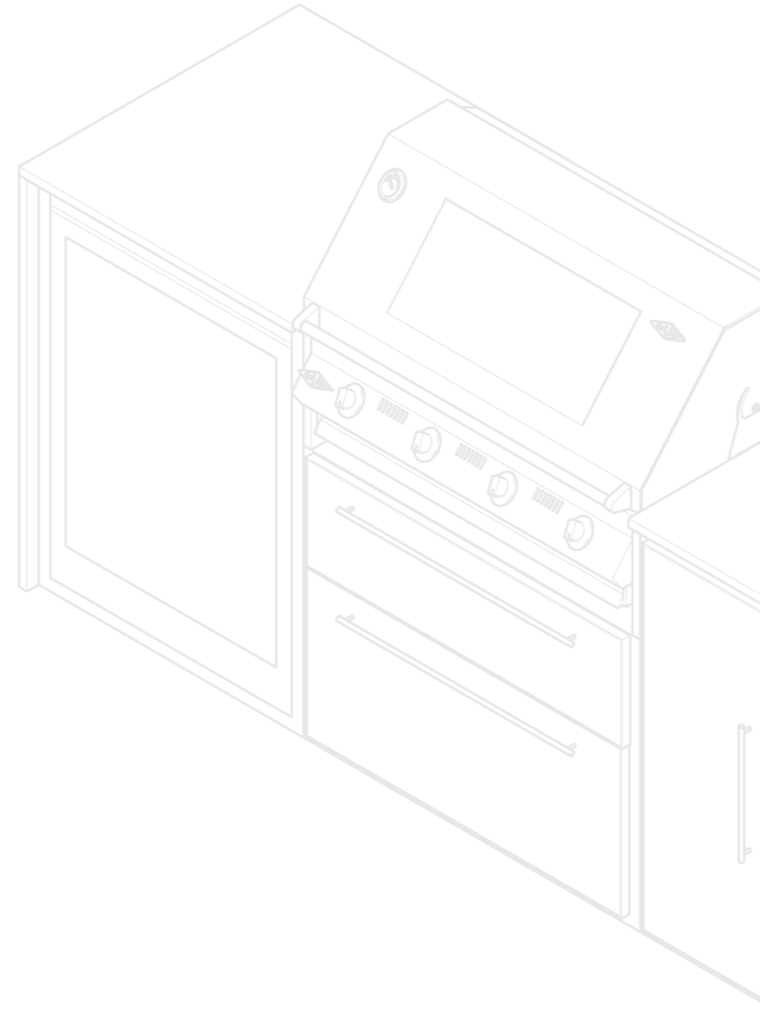
## PROFRESKO SIGNATURE 4 TRIO

Our revolutionary framing systems allow us to install a great outdoor kitchen faster and more easily without the complexities and hassles of traditional joinery or building methods.

Package features a BeefEater Signature S3000 4 burner barbecue and is available with cast iron or cast stainless cook pack. In addition to a 120 litre outdoor fridge, the kitchen also includes double drawers, double doors and a granite work top.



Hardwearing and timeless beauty of 20mm black granite. Alternative surfaces are available upon request.



Black  
Featured







White  
Featured



## PROFRESKO SIGNATURE 4 QUATRO

Patented galvanized steel framing system. No welding, cutting or bending. Once assembled, our modules are plum square and level every time. All our frames are backed with a **25 Year Anti-corrosion Guarantee**.

Package features a BeefEater Signature S3000 4 burner barbecue and is available with cast iron or cast stainless cook pack. Specified with a stainless steel over-mount sink & mixer tap arrangement and a 120 litre outdoor fridge, the kitchen also includes double drawers, two sets of double doors and a granite work top.

A great range of colour finishes to create the perfect outdoor kitchen design.



Silver Grey



Anthracite





## PROFRESKO SIGNATURE 5 TRIO

No footings required - just a hard standing to allow easy installation of doors, drawers, sinks, appliances, wiring and plumbing if required.

Package features a BeefEater Signature S3000 5 burner barbecue and is available with cast iron or cast stainless cook pack. In addition to a 120 litre outdoor fridge, the kitchen also includes double drawers, double doors and a granite work top.



BeefEater tropicalised outdoor rated fridges included in every package for style and convenience when entertaining.



Anthracite  
Featured







Silver Grey  
Featured

## PROFRESKO SIGNATURE 5 QUATRO

Our structures will hold hundreds of kilos of stone and appliances. Their inherent strength and durability provide structural integrity in all types of environments ensuring they will stand the test of time.

Package features a BeefEater Signature S3000 5 burner barbecue and is available with cast iron or cast stainless cook pack. Specified with a stainless steel over-mount sink & mixer tap arrangement and a 120 litre outdoor fridge, the kitchen also includes double drawers, two sets of double doors and a granite work top.

Our flexible grill base modules house the award-winning BeefEater Barbecue Signature and Signature ProLine™ ranges.



Signature S3000S 5 Burner Barbecue



ProLine™ 6 Burner Barbecue







## PROFRESKO PROLINE 6 TRIO

High load bearing PVC shelving within the cabinets is enhanced with acrylic-based impact modifiers to ensure durability and performance outdoors.

Package features a BeefEater ProLine™ 6 burner barbecue and is available in a Roaster or Flat Lid option. In addition to a 120 litre outdoor fridge, the kitchen also includes double drawers, double doors and a granite work top.



Stylish and durable anodized aluminium door and drawer frames come with a **5 Year Guarantee**.



White  
Featured







Silver Grey  
Featured



## PROFRESKO PROLINE 6 QUATRO

The cupboards, drawers and back panels are made from coloured aluminium ensuring durability and easy maintenance. Backed with a **5 Year Guarantee**.

Package features a BeefEater ProLine™ 6 burner barbecue and is available in a Roaster or Flat Lid option. Specified with a stainless steel over-mount sink & mixer tap arrangement and a 120 litre outdoor fridge, the kitchen also includes double drawers, two sets of double doors and a granite work top.



Salice stainless steel door and drawer fittings ensuring strength, smooth movement and soft close function.





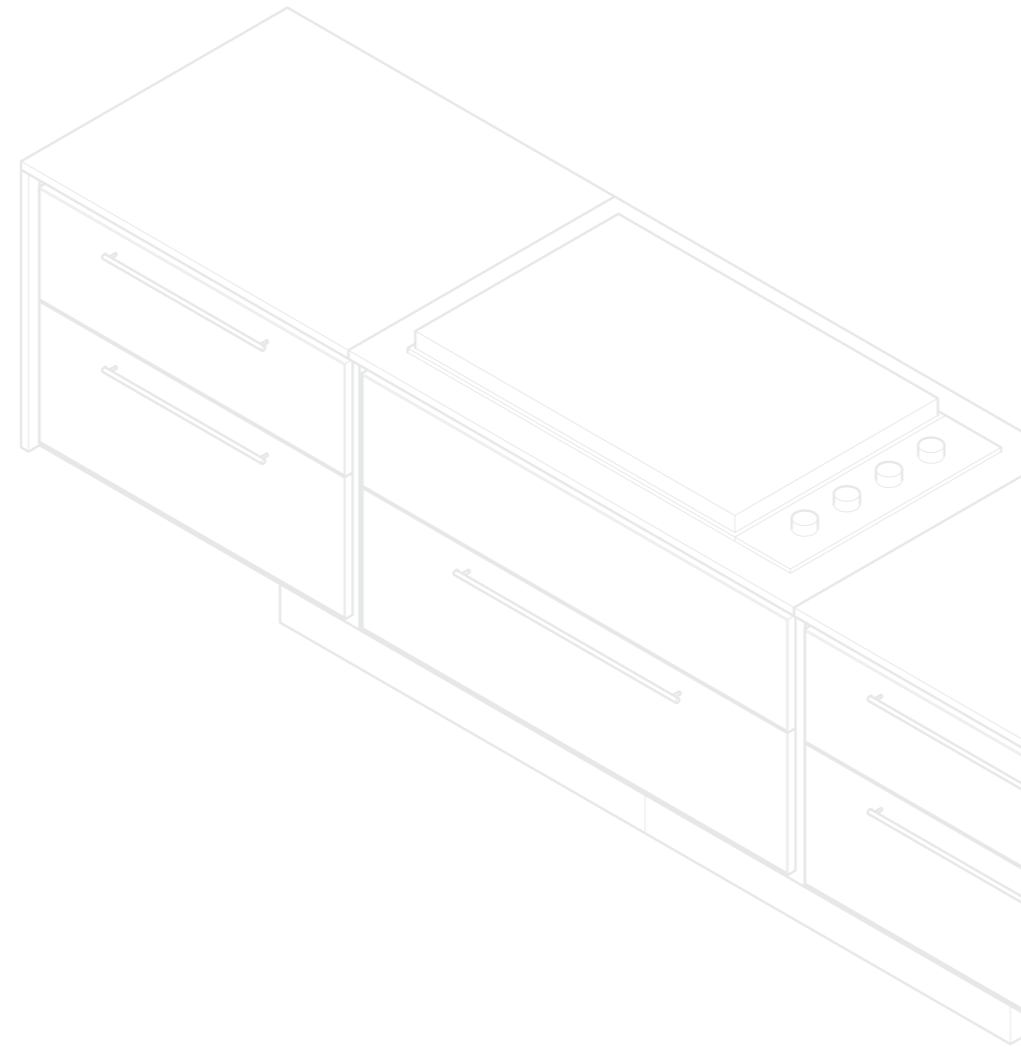
## PROFRESKO PROLINE 6 AERO

Our packages can be supplied with or without sink and tap option.  
A classy addition to any outdoor cooking environment.

Package features a BeefEater ProLine™ 6 burner barbecue and is available in a Roaster or Flat Lid option. Supplied on a 'island plinth' and includes 3 sets of double drawers and a granite work top.



Integrated services channels in rear of framework for easy gas feed, plumbing and electrical installation.



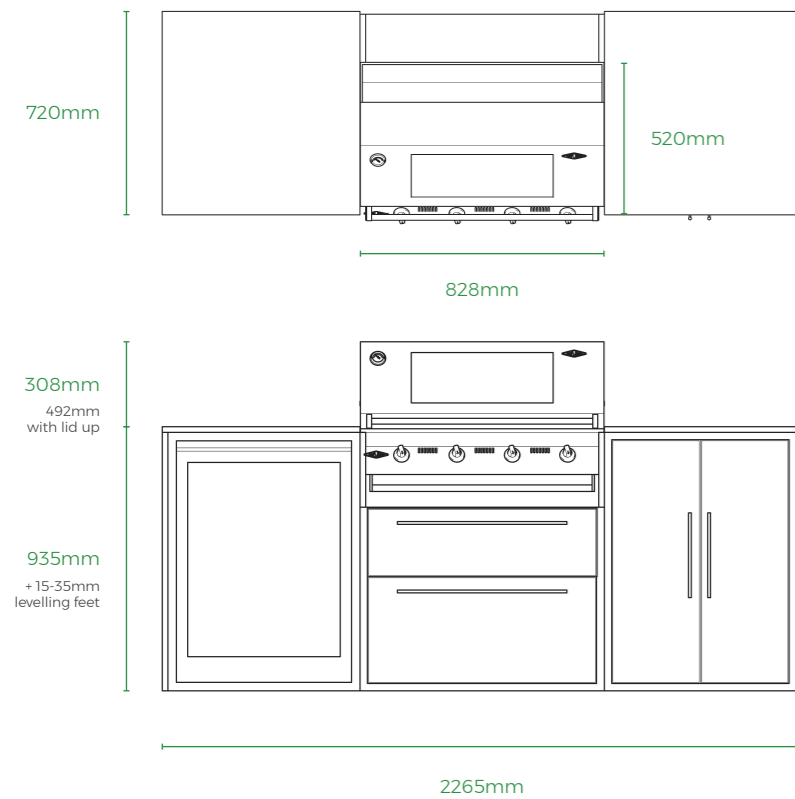
Anthracite  
Featured





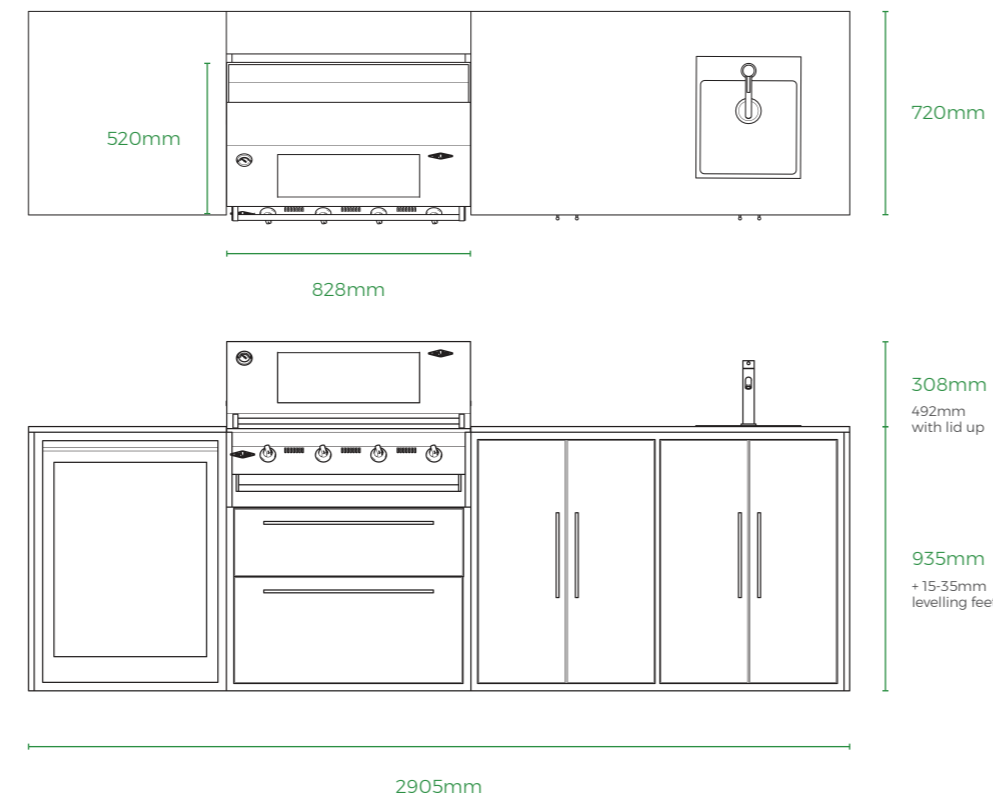
**PROFRESCO SIGNATURE 4 TRIO**

- BeefEater Signature S3000S 4 Burner (cast iron) Barbecue
- BeefEater Tropicalised Outdoor Refrigerator - 120 Ltr
- ProFresco Galvanised Steel Framing System
- All-weather PVC Cabinet Liners
- Aluminium Composite Soft Close Doors / Drawers
- 20mm Solid Granite Worktop and Waterfall End Panels
- Excludes Rear Panel Cladding



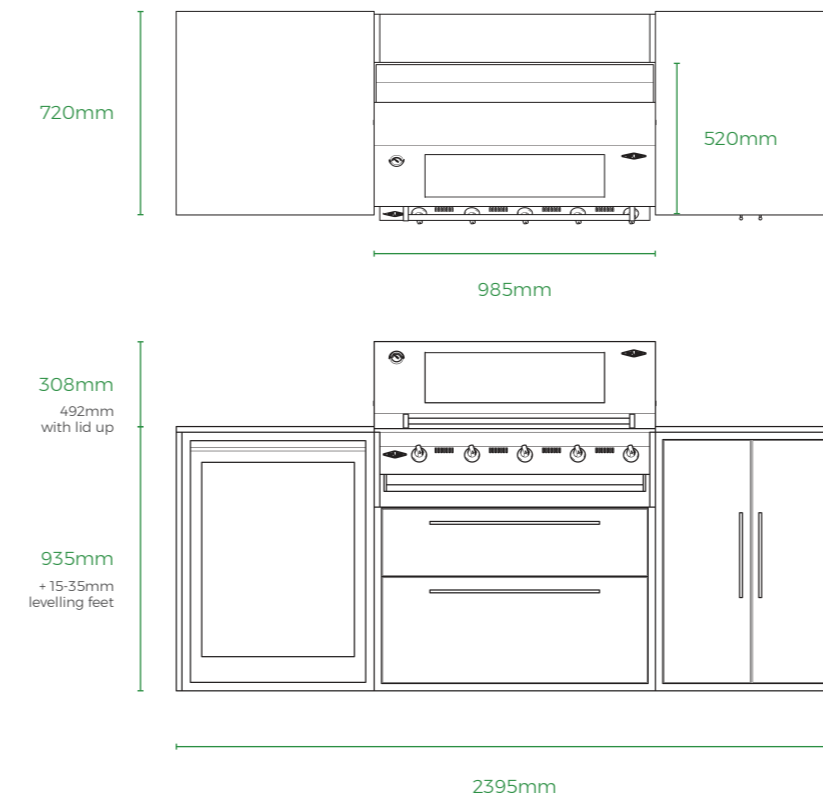
**PROFRESCO SIGNATURE 4 QUATRO**

- BeefEater Signature S3000S 4 Burner (cast iron) Barbecue
- BeefEater Tropicalised Outdoor Refrigerator - 120 Ltr
- Sink and Tap (also available without sink and tap)
- ProFresco Galvanised Steel Framing System
- All-weather PVC Cabinet Liners
- Aluminium Composite Soft Close Doors / Drawers
- 20mm Solid Granite Worktop and Waterfall End Panels
- Excludes Rear Panel Cladding.



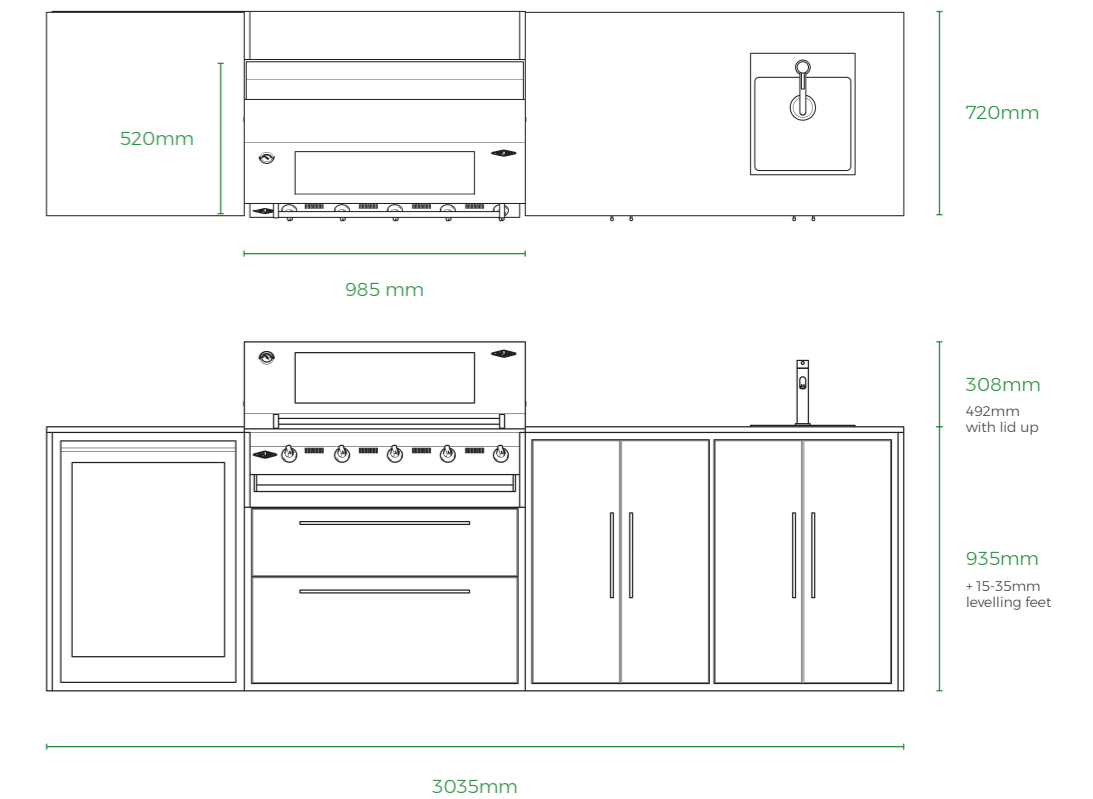
**PROFRESCO SIGNATURE 5 TRIO**

- BeefEater Signature S3000S 5 Burner (cast iron) Barbecue
- BeefEater Tropicalised Outdoor Refrigerator - 120 Ltr
- ProFresco Galvanised Steel Framing System
- All-weather PVC Cabinet Liners
- Aluminium Composite Soft Close Doors / Drawers
- 20mm Solid Granite Worktop and Waterfall End Panels
- Excludes Rear Panel Cladding



**PROFRESCO SIGNATURE 5 QUATRO**

- BeefEater Signature S3000S 5 Burner (cast iron) Barbecue
- BeefEater Tropicalised Outdoor Refrigerator - 120 Ltr
- Sink and Tap (also available without sink and tap)
- ProFresco Galvanised Steel Framing System
- All-weather PVC Cabinet Liners
- Aluminium Composite Soft Close Doors / Drawers
- 20mm Solid Granite Worktop and Waterfall End Panels
- Excludes Rear Panel Cladding

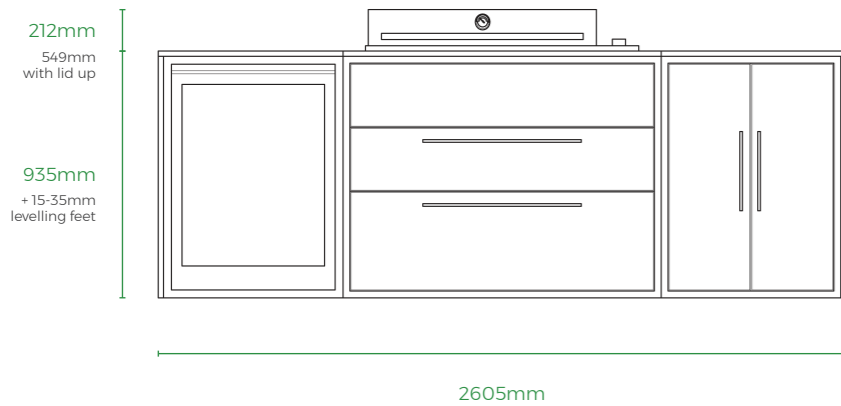
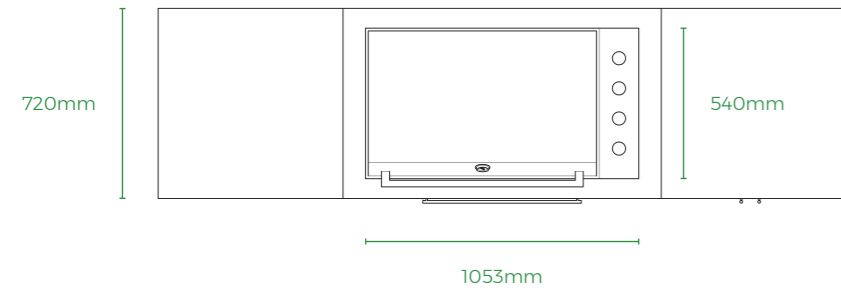




SPECIFICATIONS

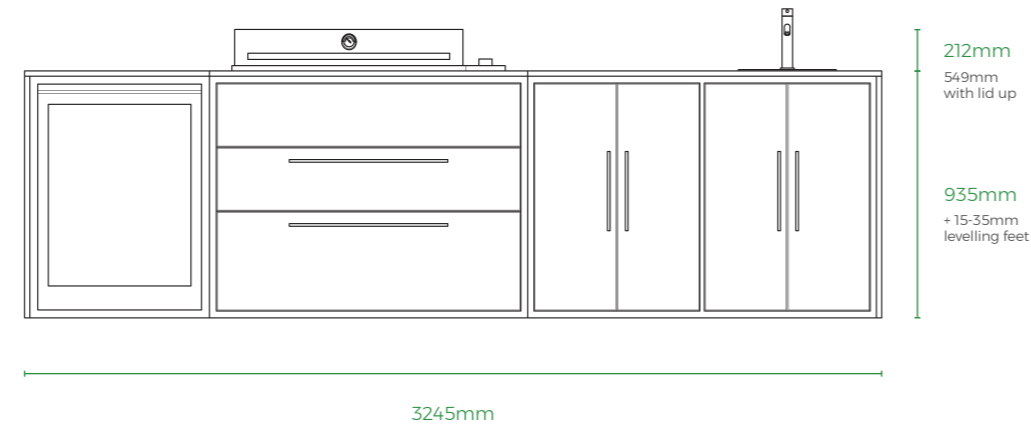
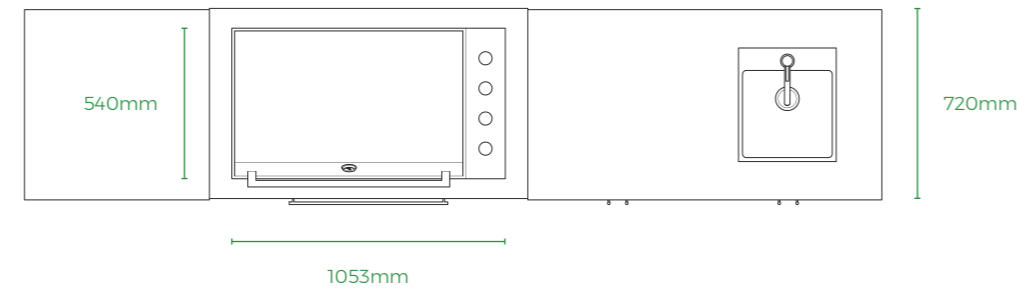
**PROFRESKO PROLINE 6 TRIO**

- BeefEater ProLine™ 6 Burner Barbecue with Roaster Lid
- BeefEater Tropicalised Outdoor Refrigerator - 120 Ltr
- ProFresco Galvanised Steel Framing System
- All-weather PVC Cabinet Liners
- Aluminium Composite Soft Close Doors / Drawers
- 20mm Solid Granite Worktop and Waterfall End Panels
- Excludes Rear Panel Cladding



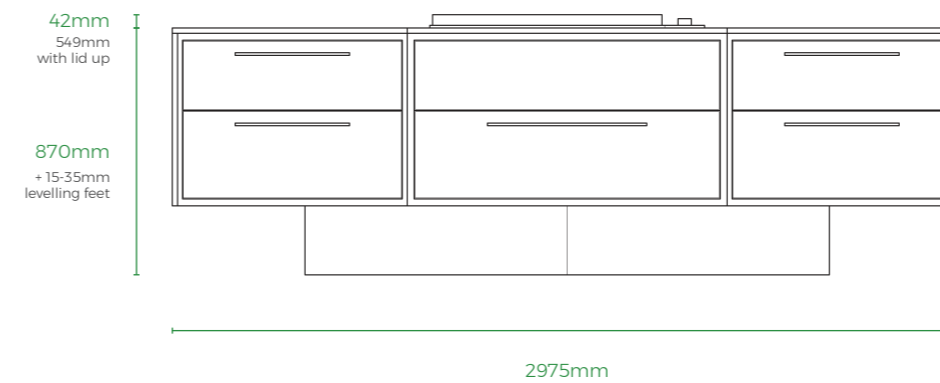
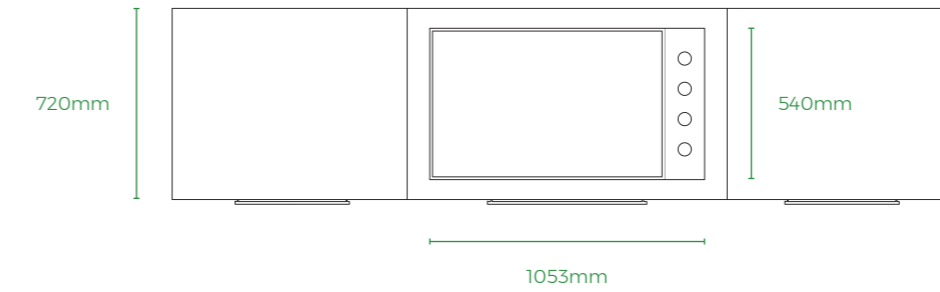
**PROFRESKO PROLINE 6 QUATRO**

- BeefEater ProLine™ 6 Burner Barbecue with Roaster Lid
- BeefEater Tropicalised Outdoor Refrigerator - 120 Ltr
- Sink and Tap (also available without sink and tap)
- ProFresco Galvanised Steel Framing System
- All-weather PVC Cabinet Liners
- Aluminium Composite Soft Close Doors / Drawers
- 20mm Solid Granite Worktop and Waterfall End Panels
- Excludes Rear Panel Cladding



**PROFRESKO PROLINE 6 AERO**

- BeefEater ProLine™ 6 Burner Barbecue with Flat Lid
- ProFresco Galvanised Steel Framing System
- All-weather PVC Cabinet Liners
- Aluminium Composite Soft Close Doors / Drawers
- 20mm Solid Granite Worktop and Waterfall End Panels



**PATENTED FRAMES**

Patented galvanized steel framing system. No welding, cutting or bending. Once assembled, our modules are plum square and level every time. All our frames are backed with a 25 Year Anti-corrosion Guarantee.

Patented easy fix system to enable mess free installation

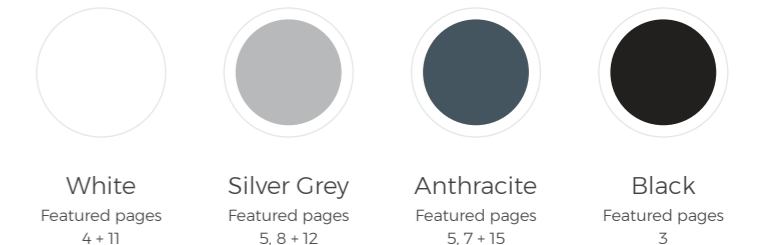
Zinc coated galvanised steel frame for strength and durability

25 Year Anti-corrosion Guarantee for peace of mind



**COLOURS**

All cabinets are available in a great range of colour finishes for the perfect outdoor kitchen.







### WORKING WITH THE BEST

ProFresco is proud to be partnered in the UK with BeefEater – a range of Australian-designed high-end barbecues.

ProFresco brings the best of worldwide engineering excellence together to provide you with a complete solution that will give you many years of service.



E&OE - July 2019



SIGNATURE 5 TRIO Black



THE WORLD'S MOST ADVANCED  
OUTDOOR KITCHEN BUILDING SYSTEM



[www.grillcentr.ru](http://www.grillcentr.ru)

+7 (495) 233 55 21 (moscow)

+7 (812) 941 37 52 (saint petersburg)