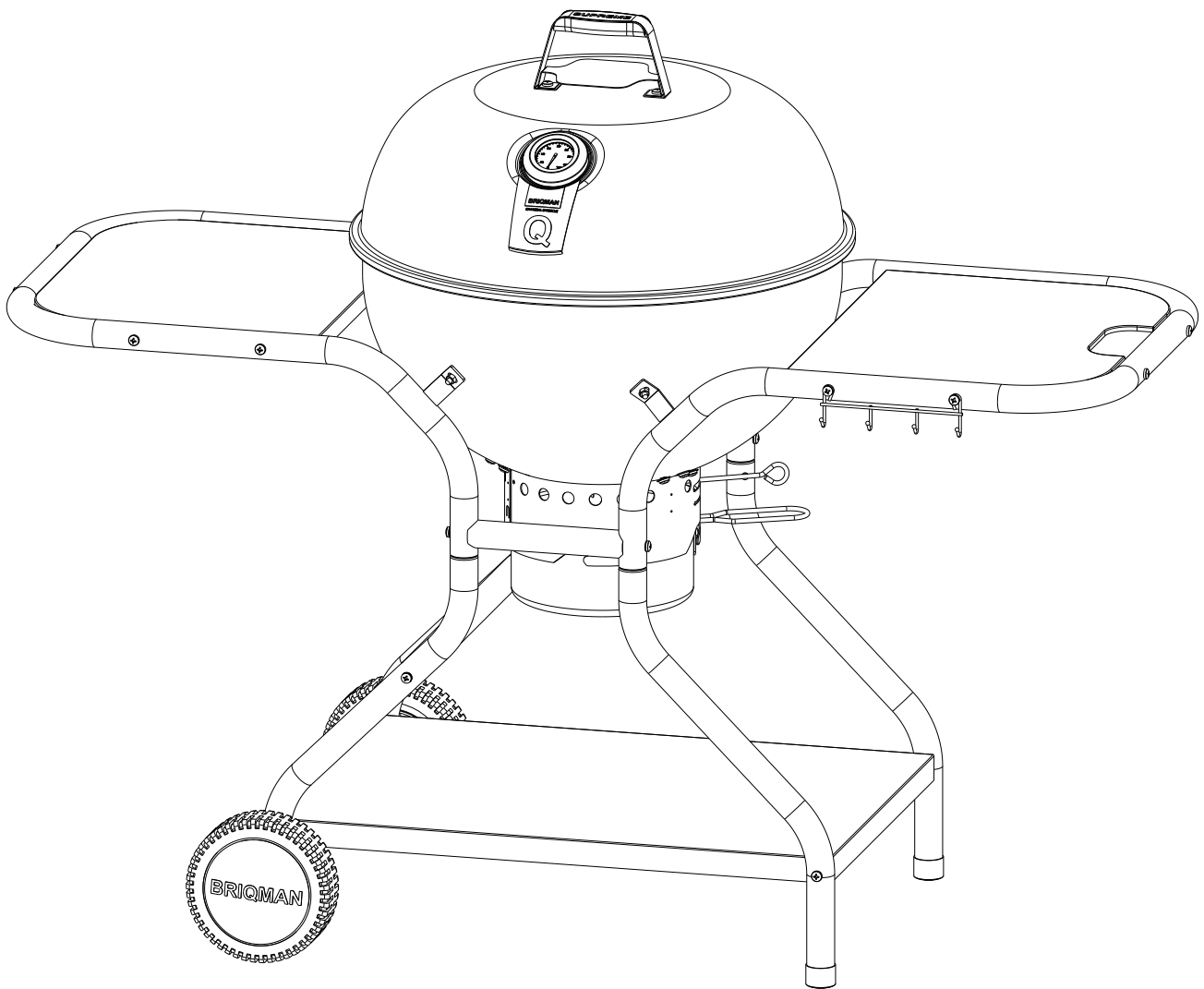
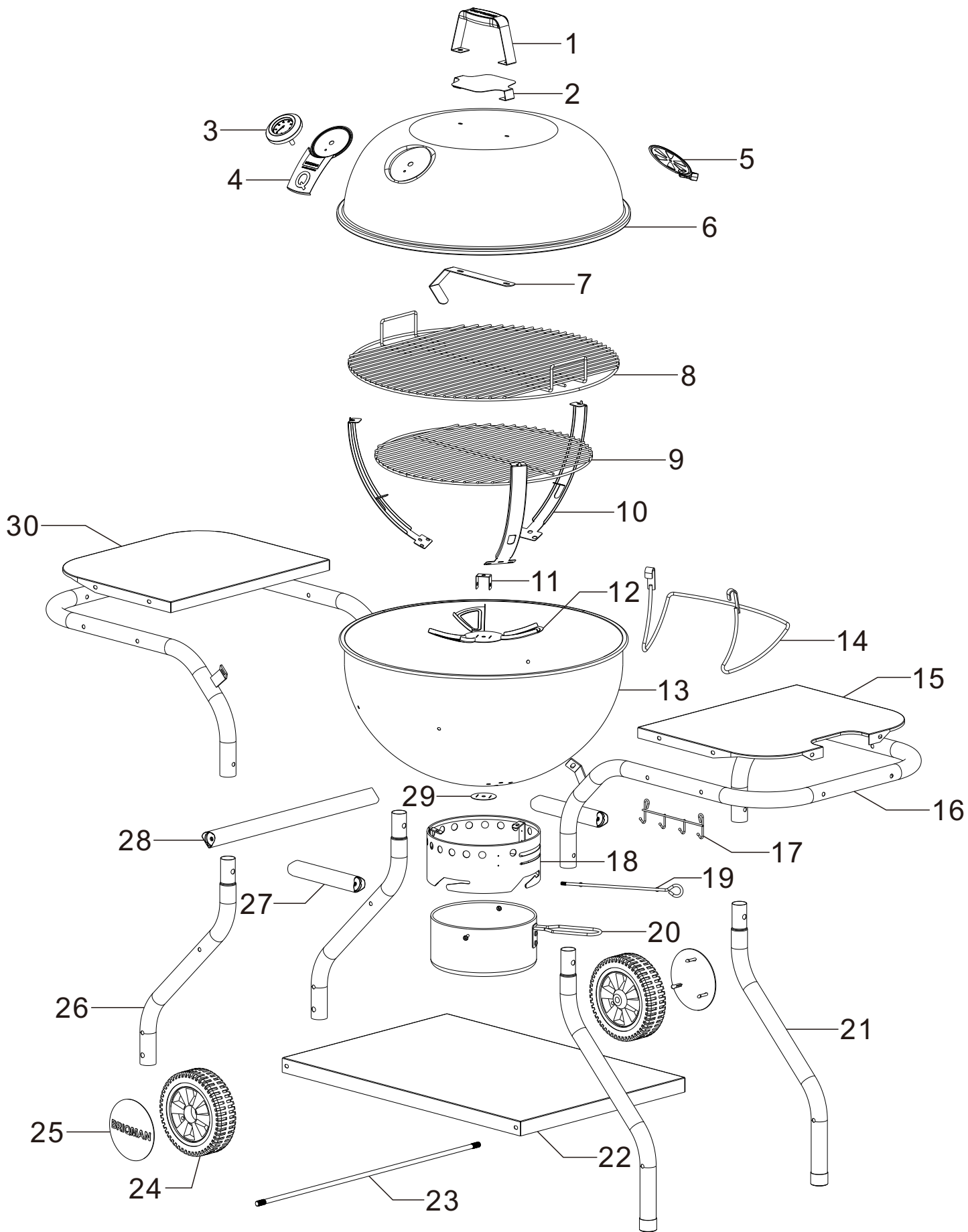





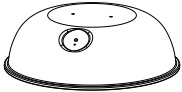

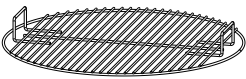
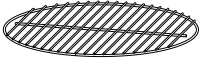



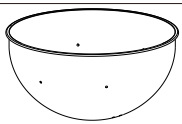


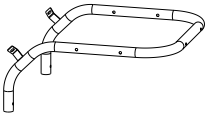

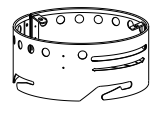
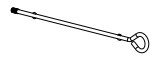
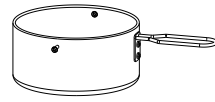
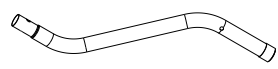




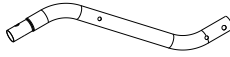
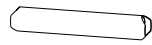


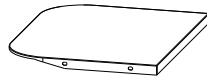



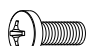
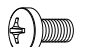
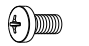






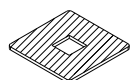
BRIQMAN SUPREME



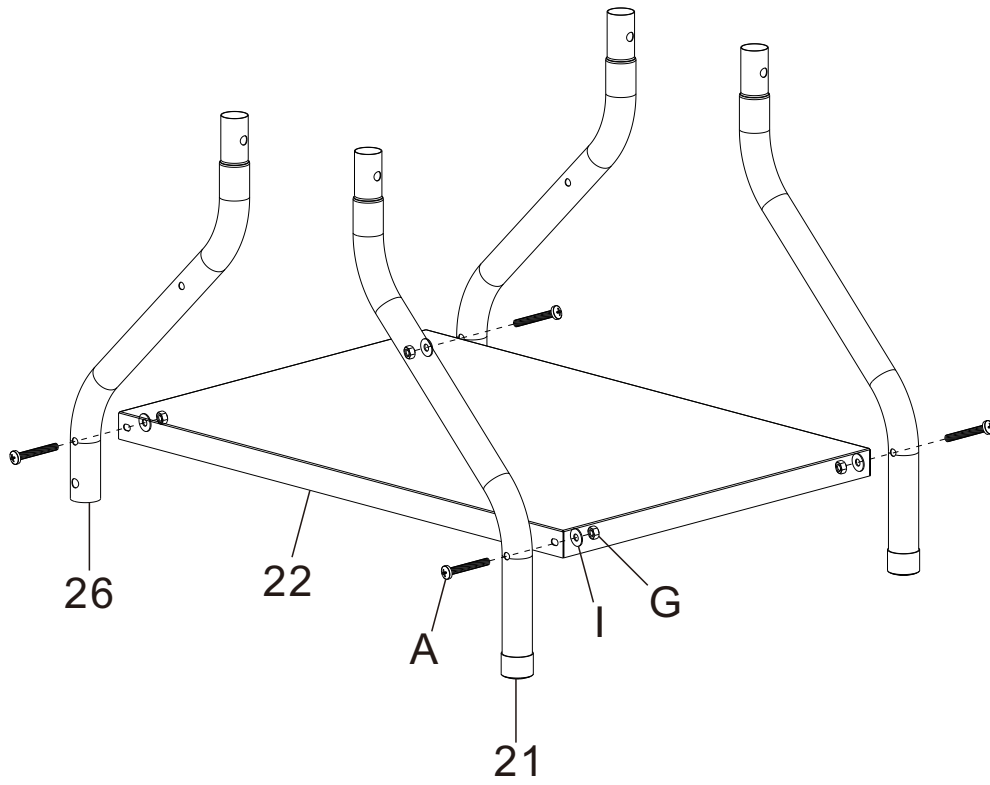


1		x1
2		x1
3		x1
4		x1
5		x1
6		x1
7		x1
8		x1
9		x1
10		x3
11		x1
12		x1
13		x1
14		x1
15		x1
16		x2

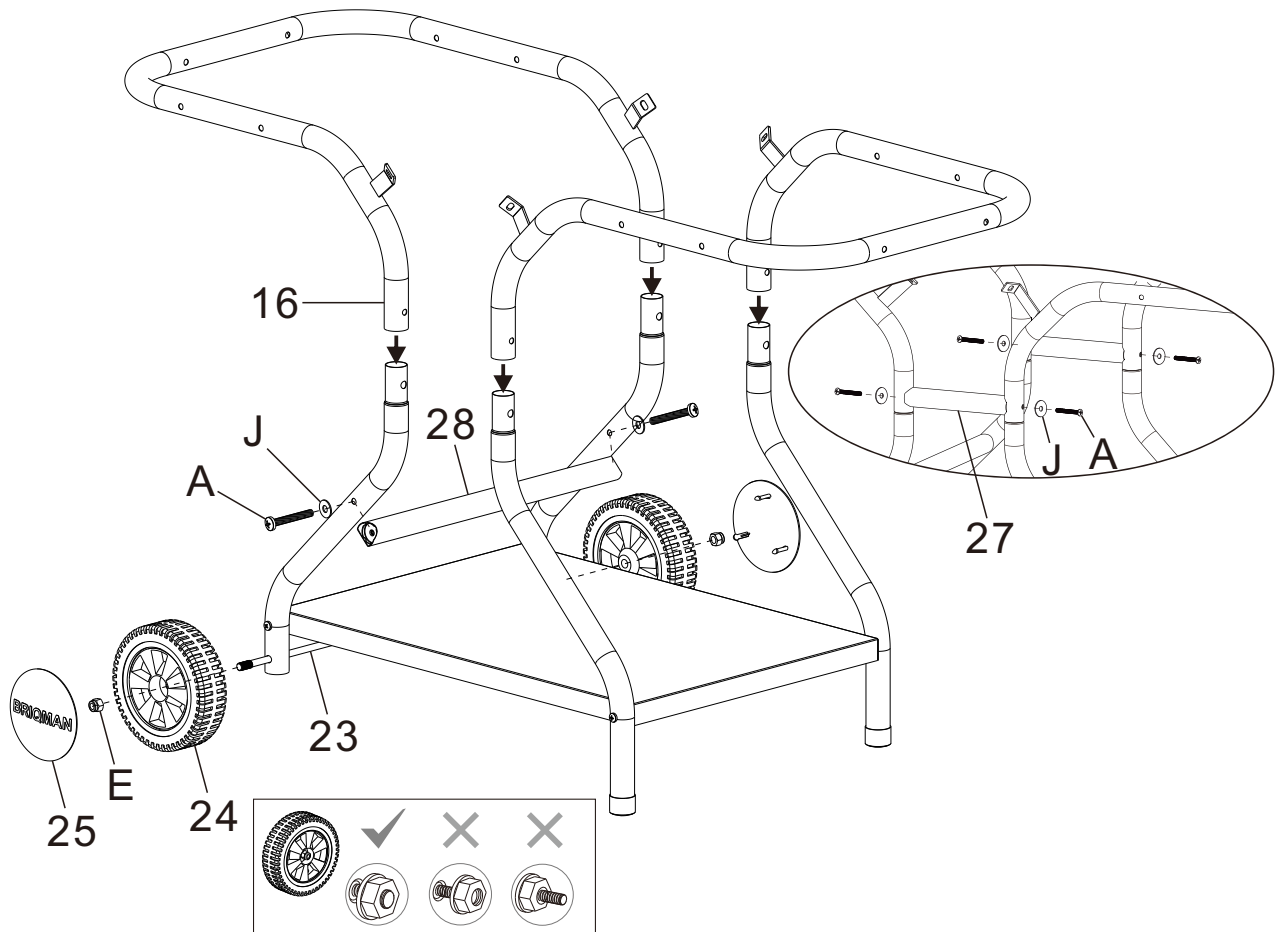
17		x1
18		x1
19		x1
20		x1
21		x2
22		x1
23		x1
24		x2
25		x2
26		x2
27		x2
28		x1
29		x1
30		x1

A	M6x45 	x22
B	M6x16 	x6
C	M6x12 	x10
D	M5x12 	x4
E	M10 	x2
F	M6 	x4
G	M6 	x30
H	M5 	x1
I	Ø6x16 	x32
J	Ø6x12 	x10
K	Ø6x18 	x2

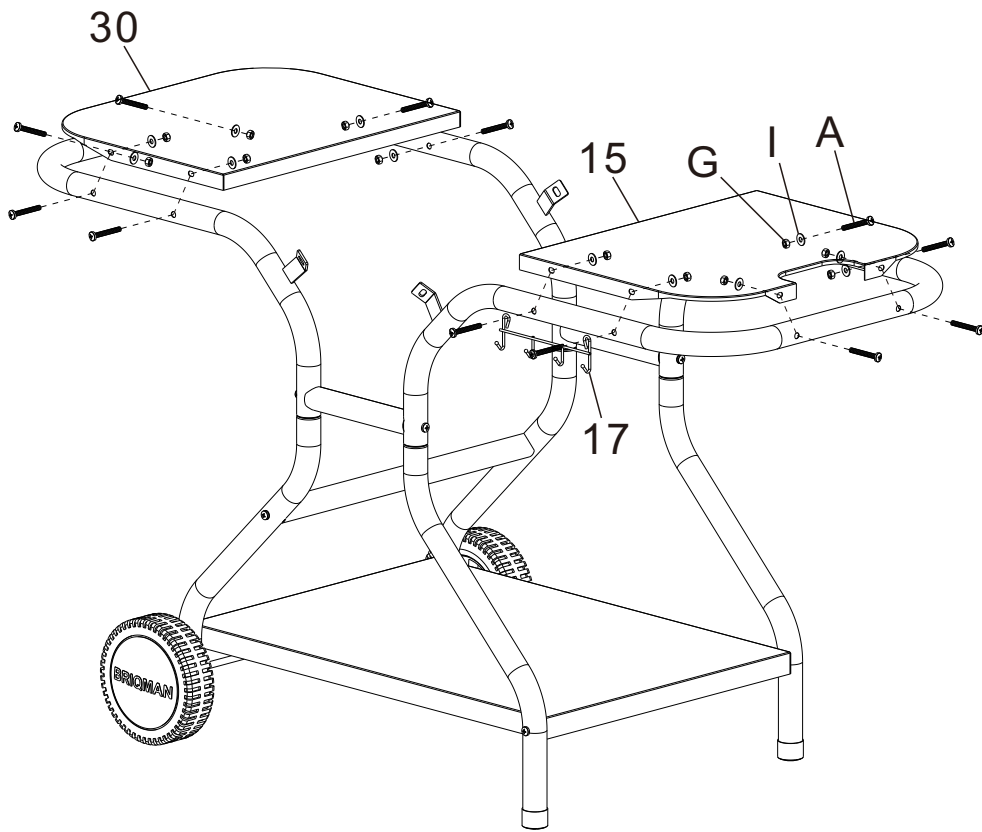
1



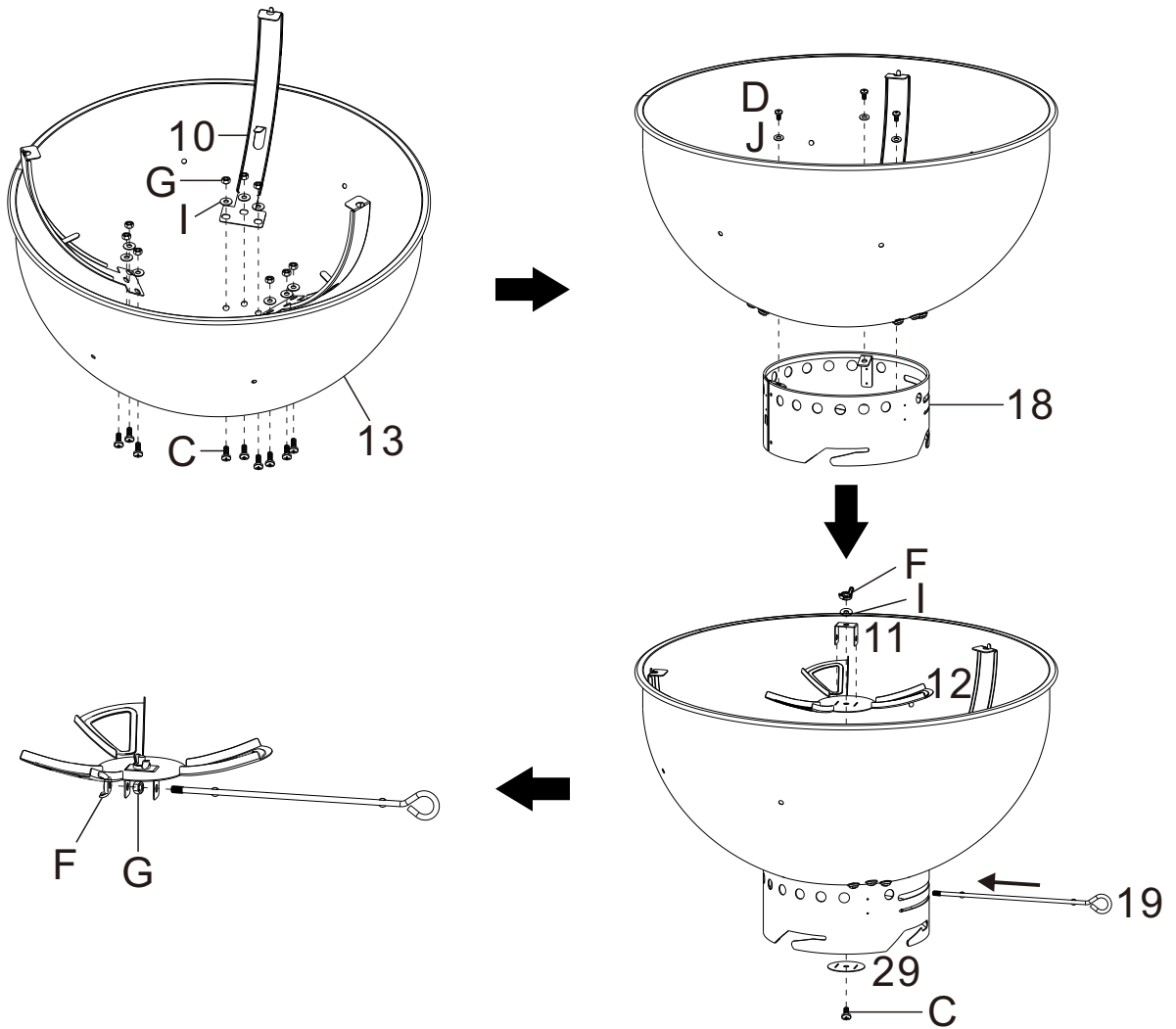
2



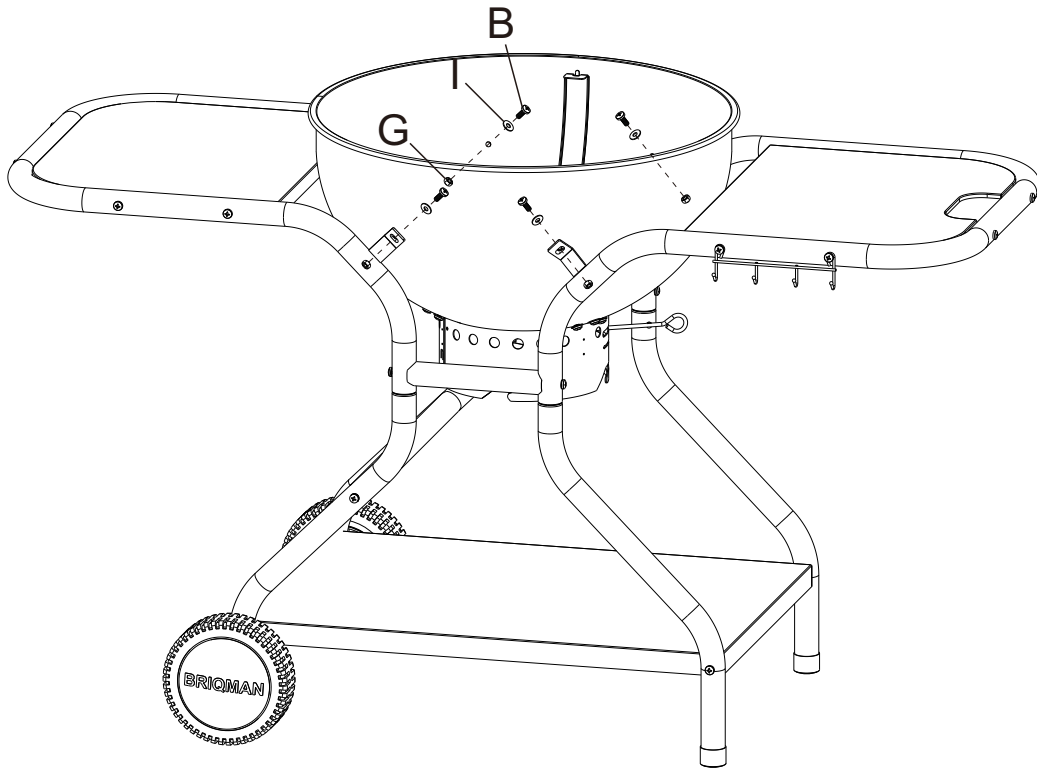
3



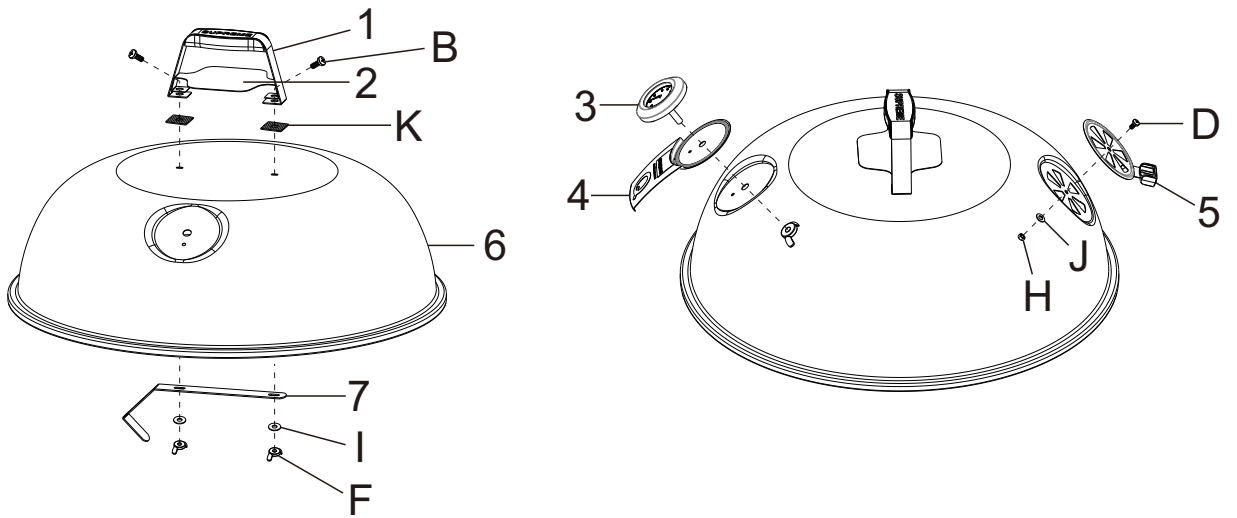
4



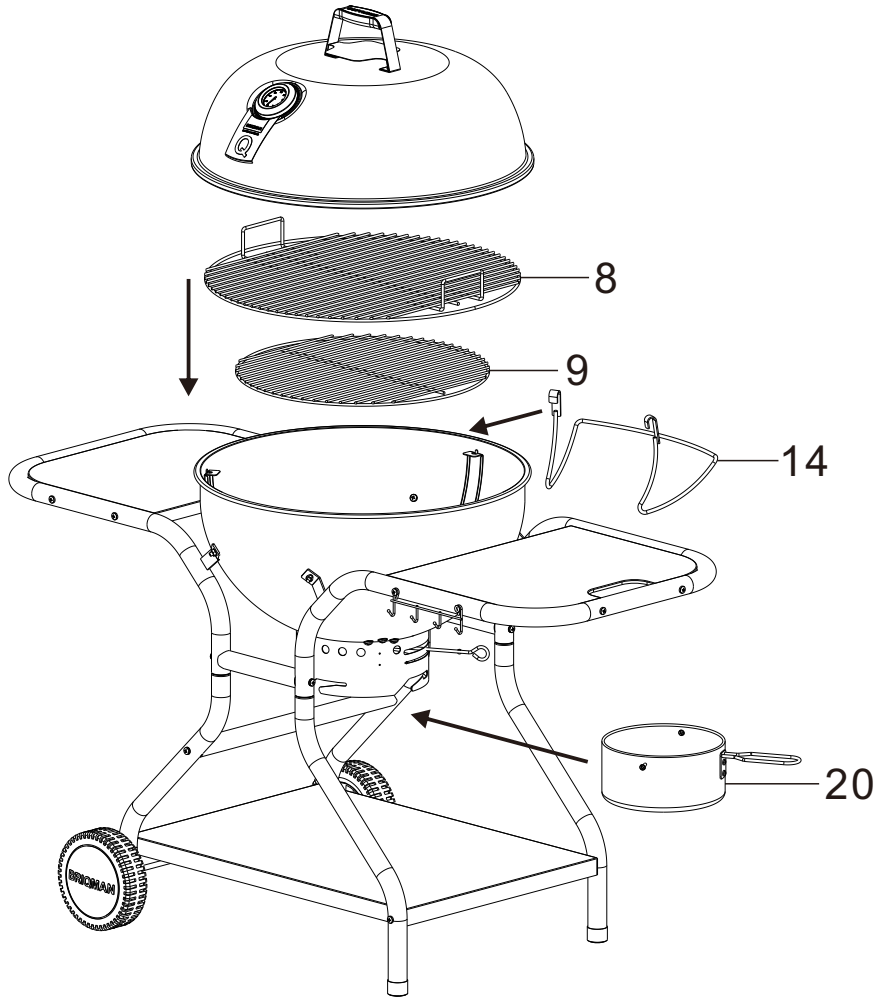
5



6



7



8

