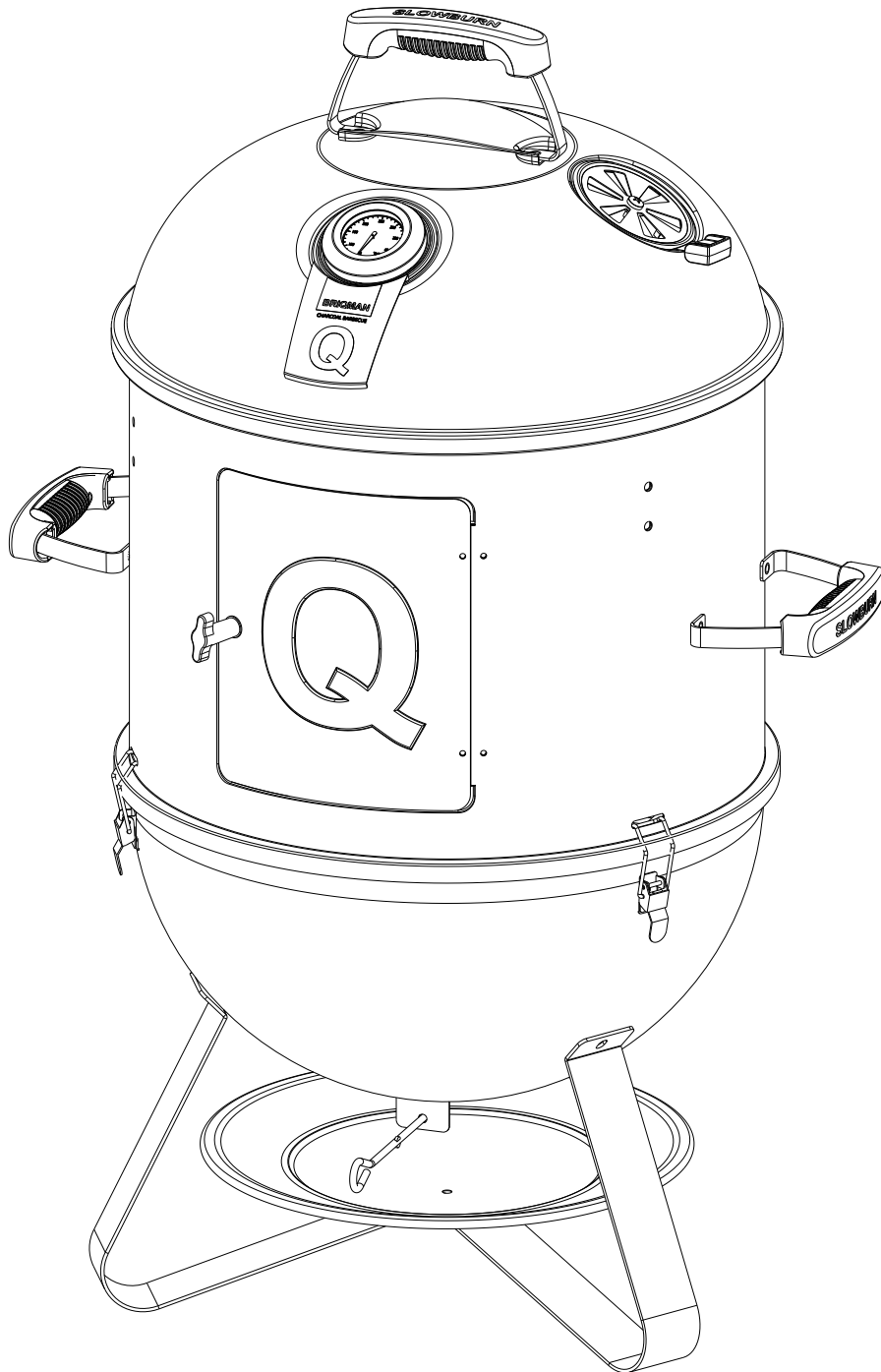
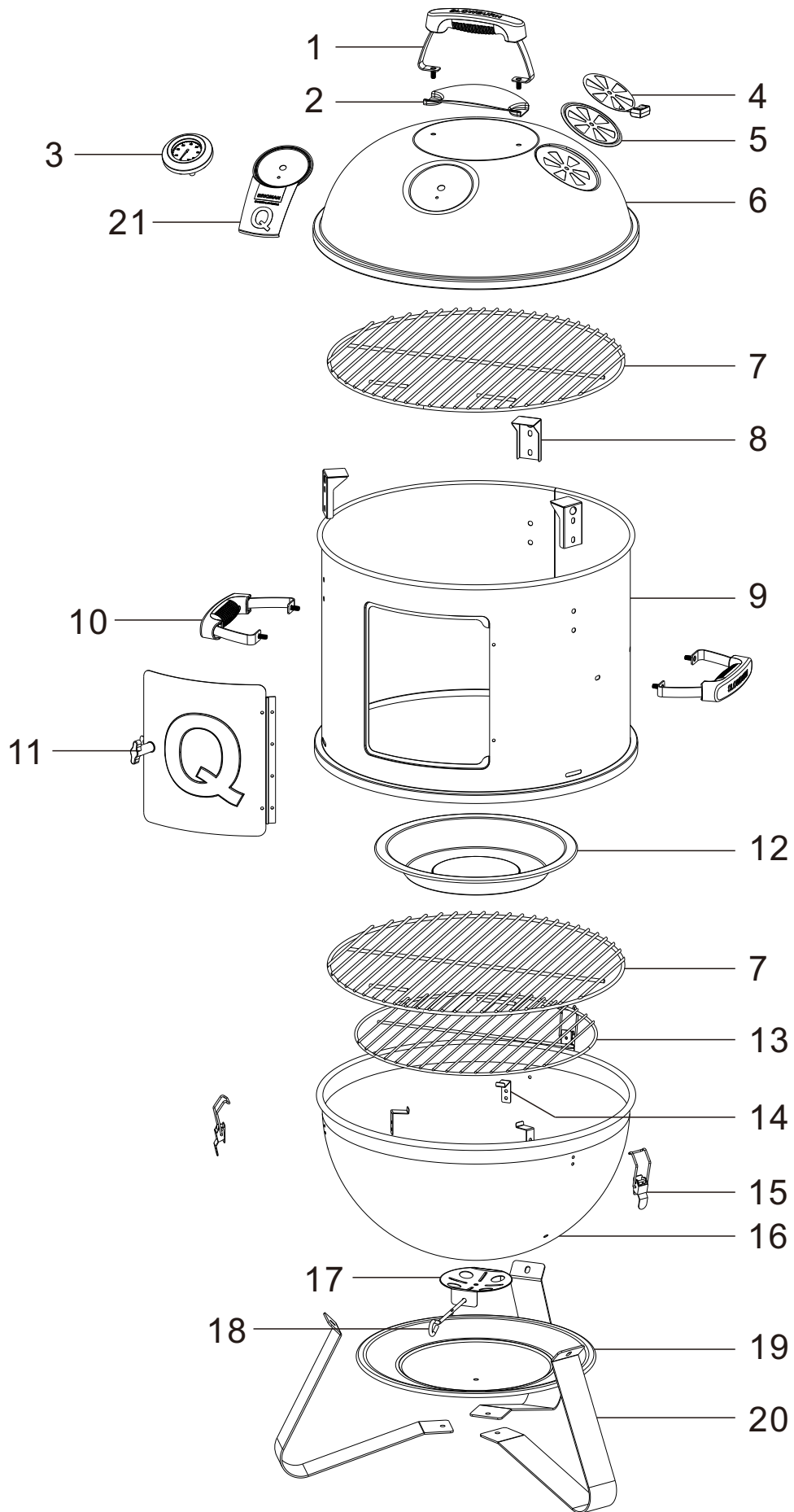
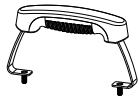




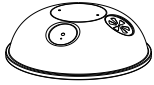

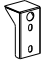
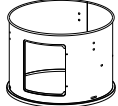
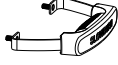











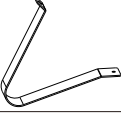

# BRIQMAN

# SLOWBURN



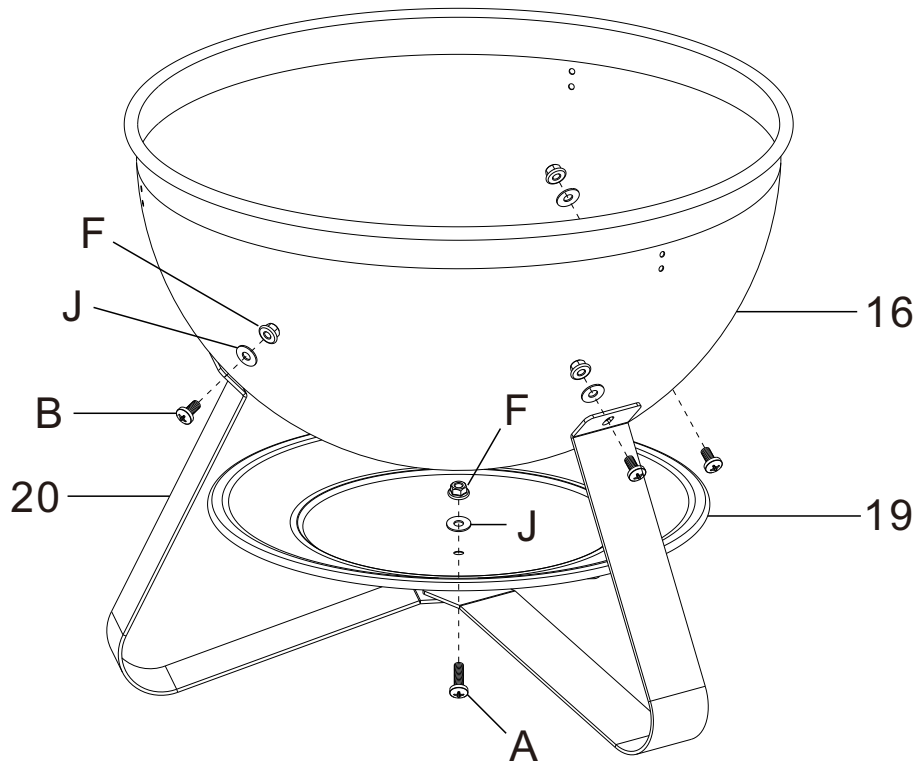


1		x1
2		x1
3		x1
4		x1
5		x1
6		x1
7		x2
8		x3
9		x1
10		x2
11		x1
12		x1
13		x1
14		x3
15		x3
16		x1

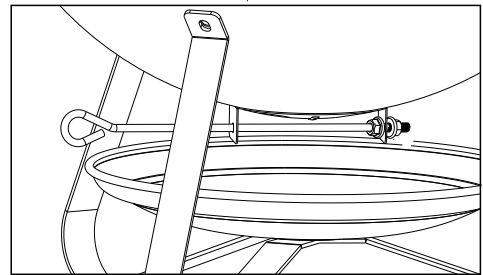
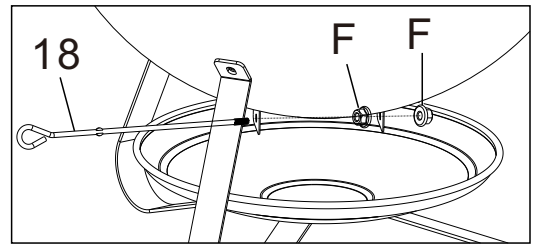
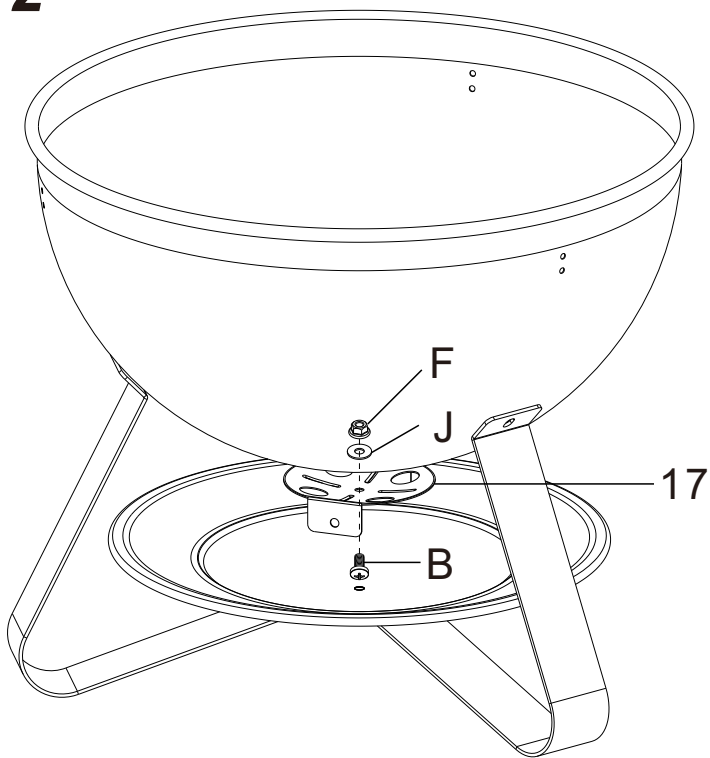
17		x1
18		x1
19		x1
20		x3
21		x1

A	M6x20		x1
B	M6x12		x4
C	M5x10		x7
D	M4x10		x2
E	M3x10		x6
F	M6		x13
G	M5		x7
H	M4		x2
I	M3		x6
J	Ø6x16		x11

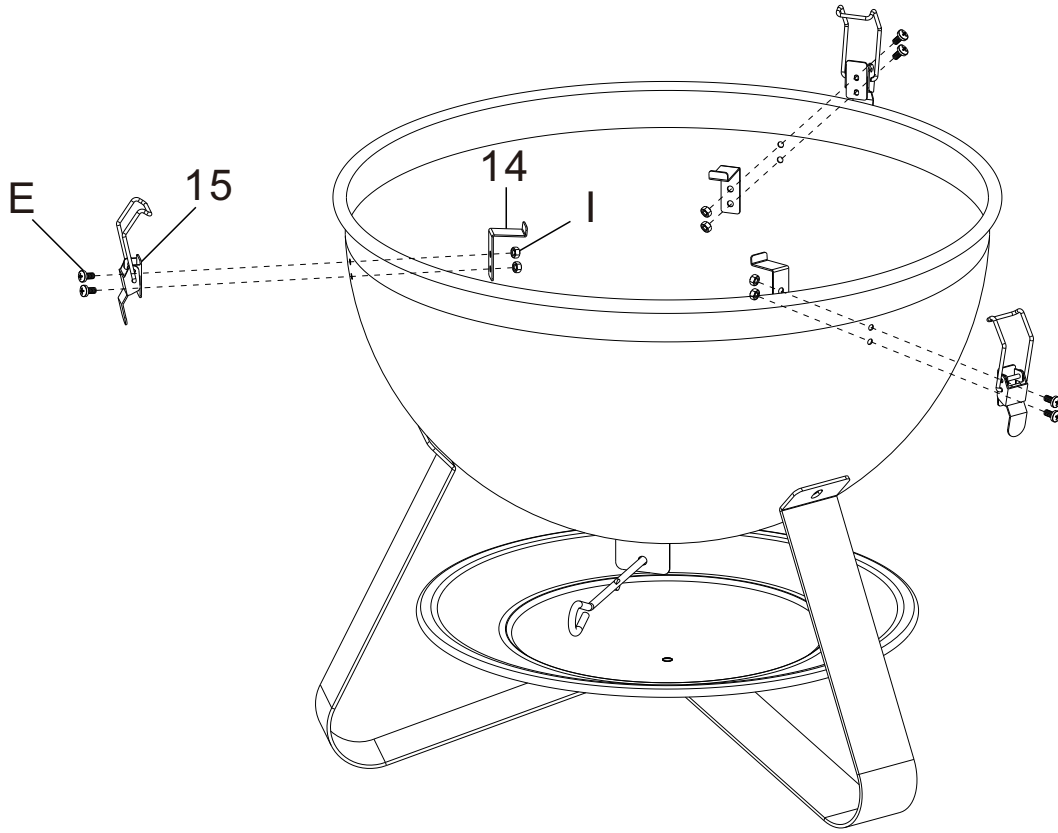
1



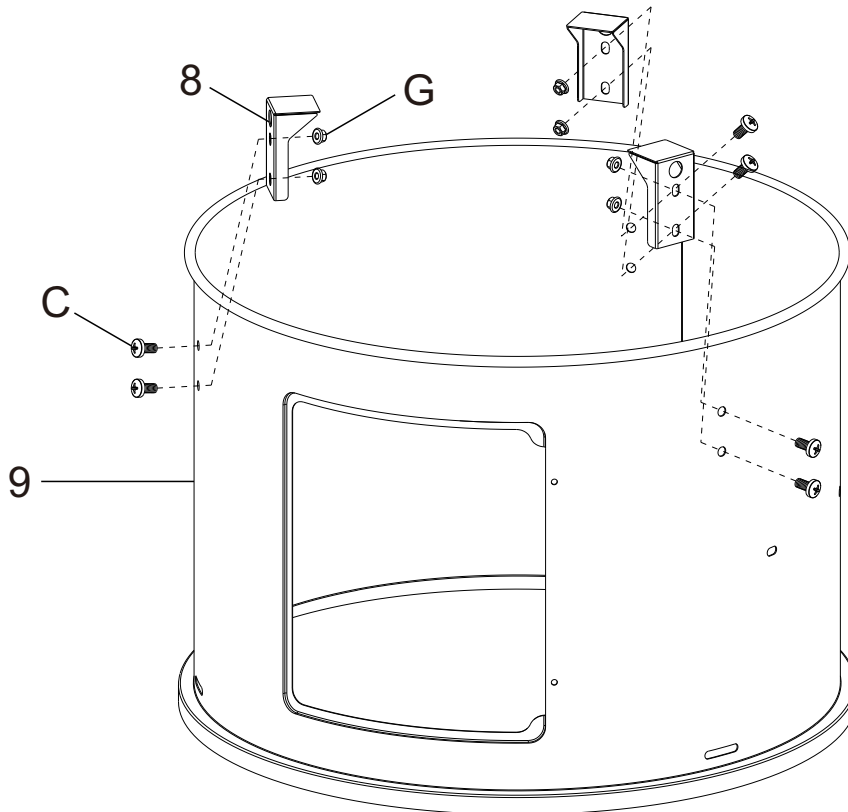
2



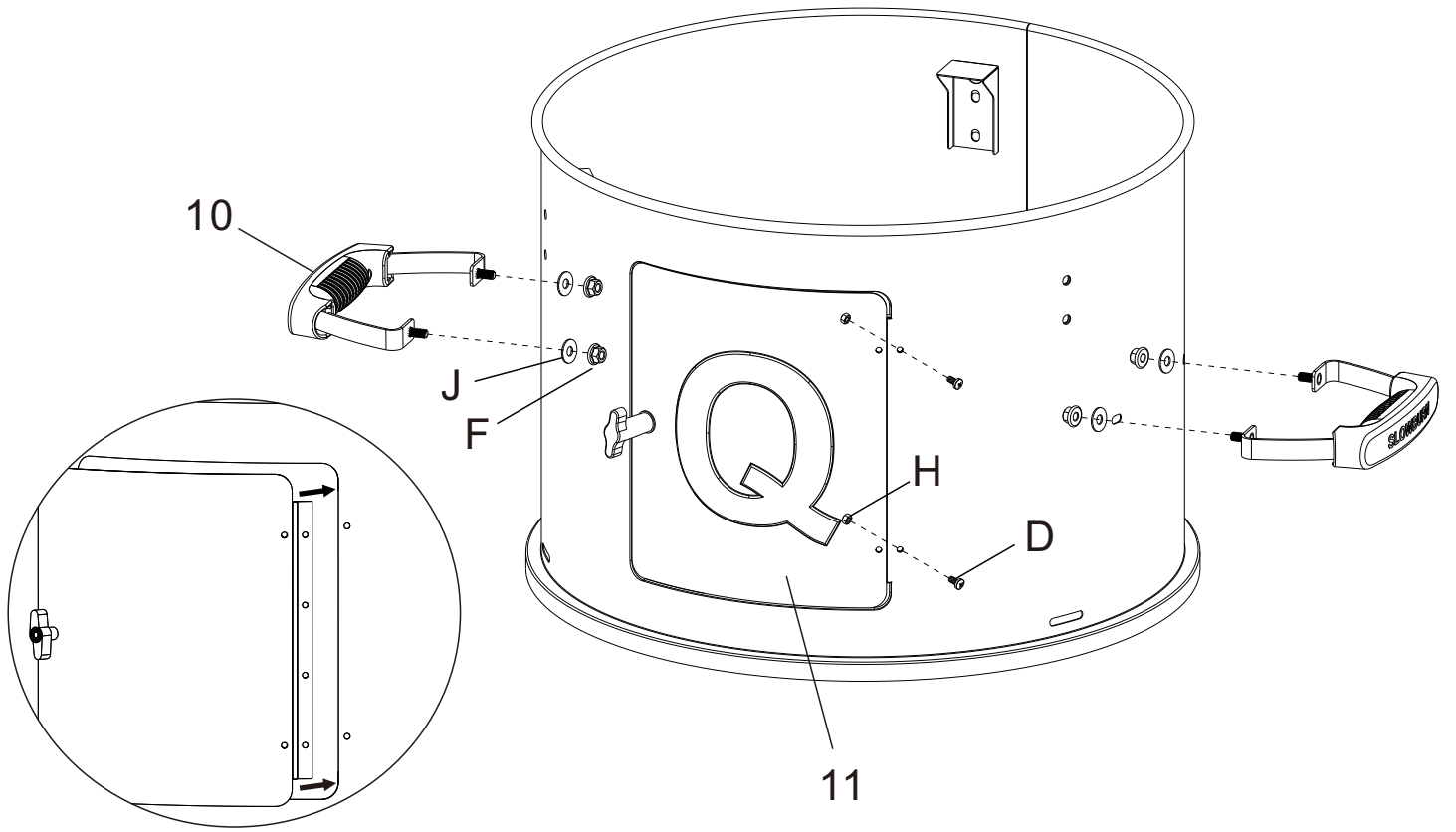
**3**



**4**



5



6

