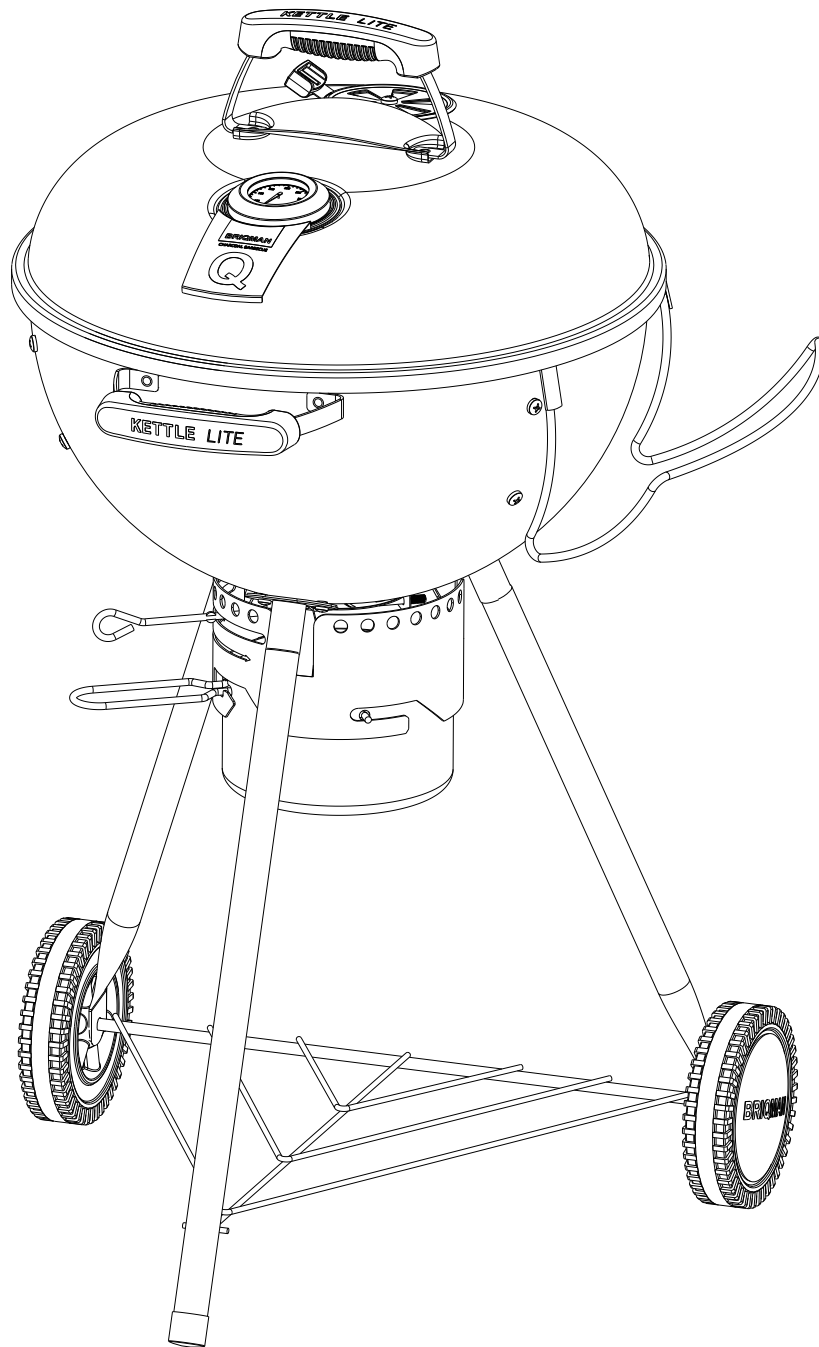
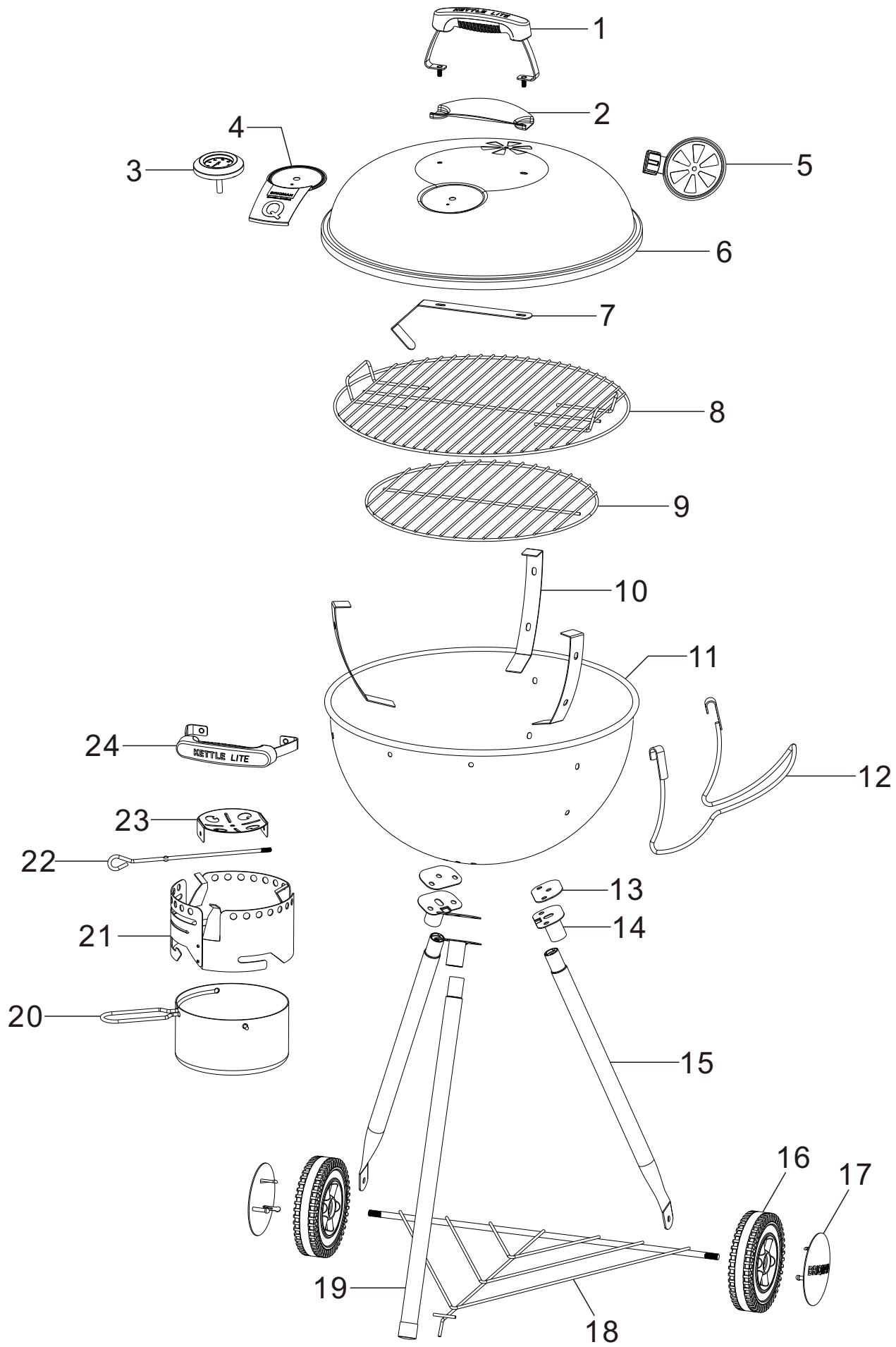




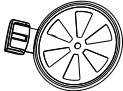



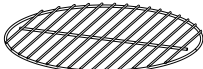

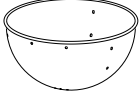








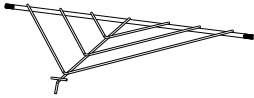
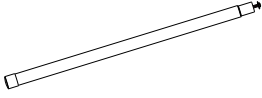
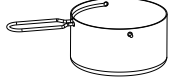




# BRIQMAN

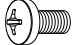
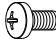




# KETTLE LITE



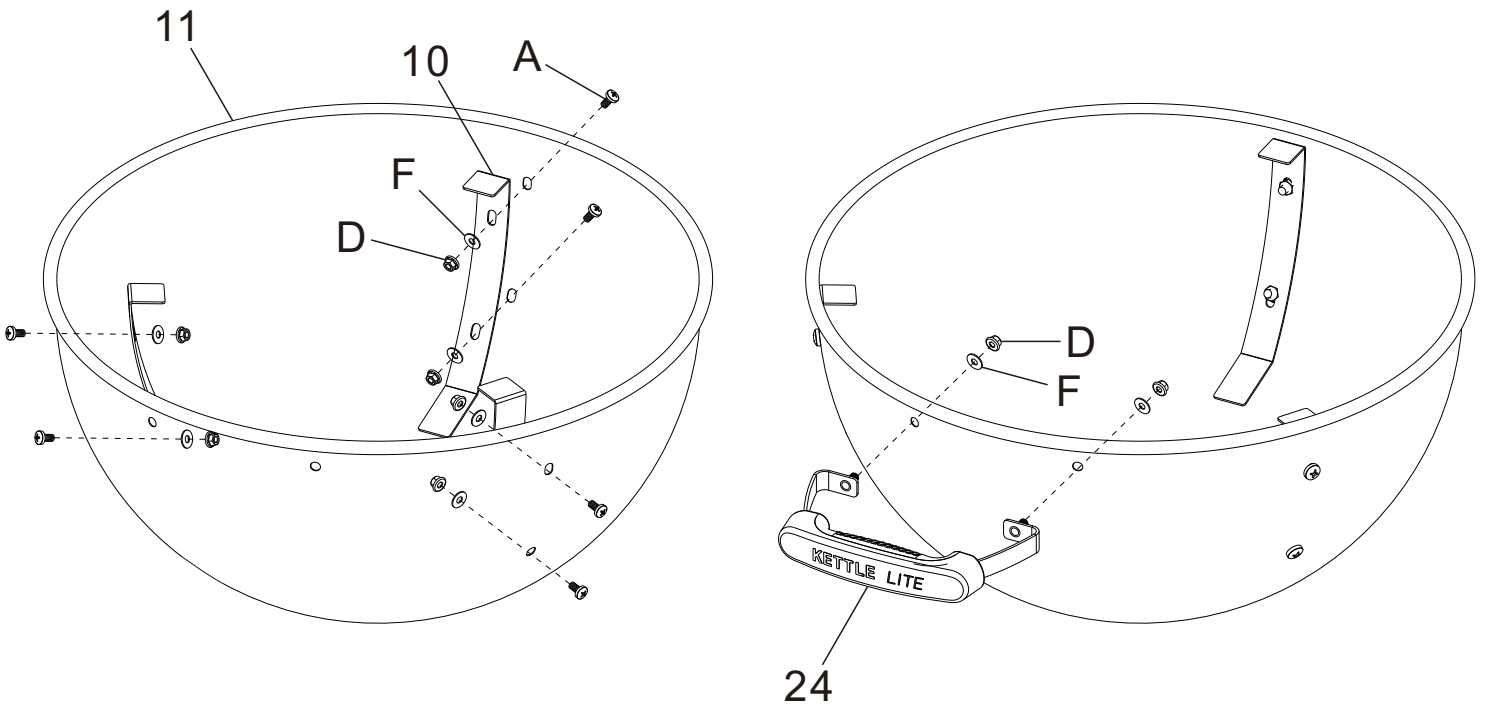


1		x1
2		x1
3		x1
4		x1
5		x1
6		x1
7		x1
8		x1
9		x1
10		x3
11		x1
12		x1
13		x3
14		x3
15		x2
16		x2

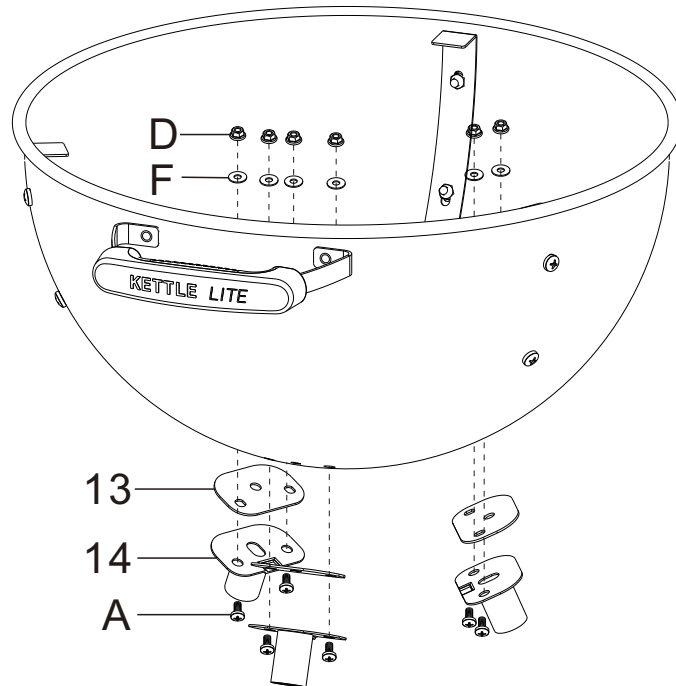
17		x2
18		x1
19		x1
20		x1
21		x1
22		x1
23		x1
24		x1

A	M6x12		x13
B	M5x12		x1
C	M10		x2
D	M6		x19
E	M5		x1
F	Ø6x16		x18

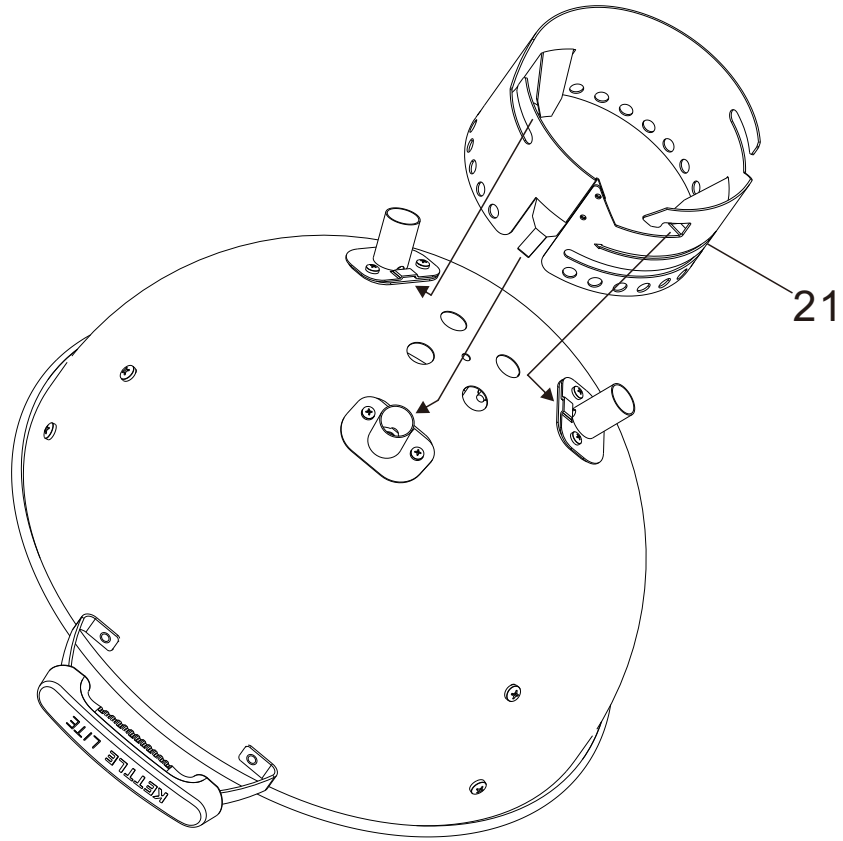
**1**



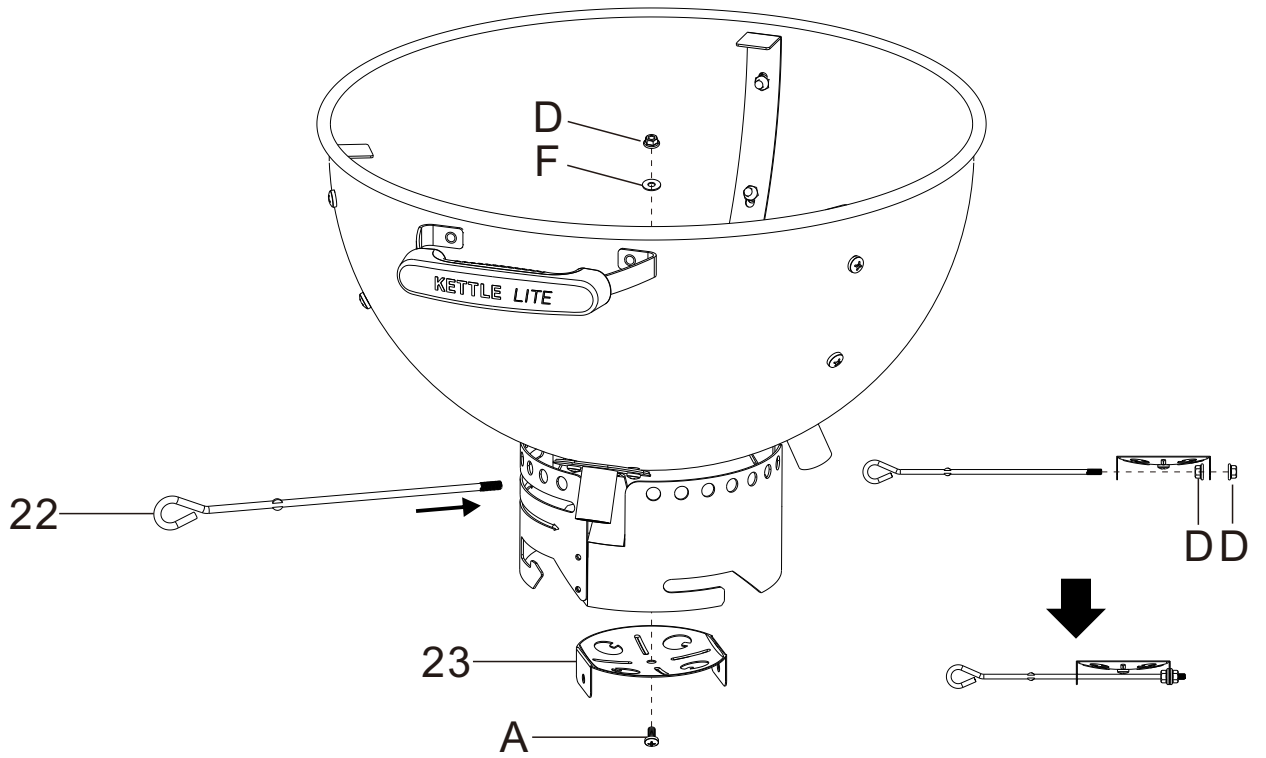
**2**



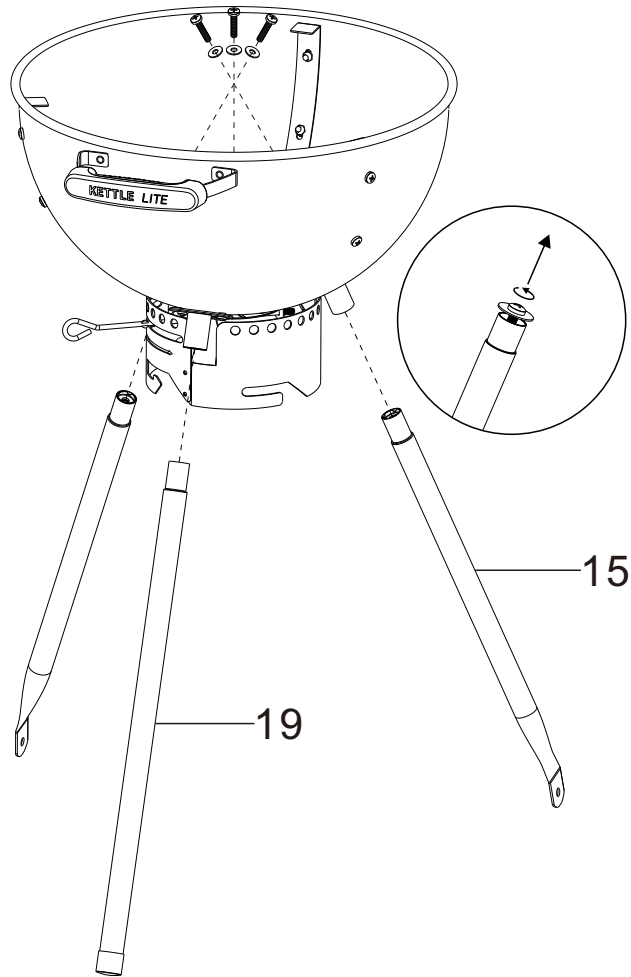
3



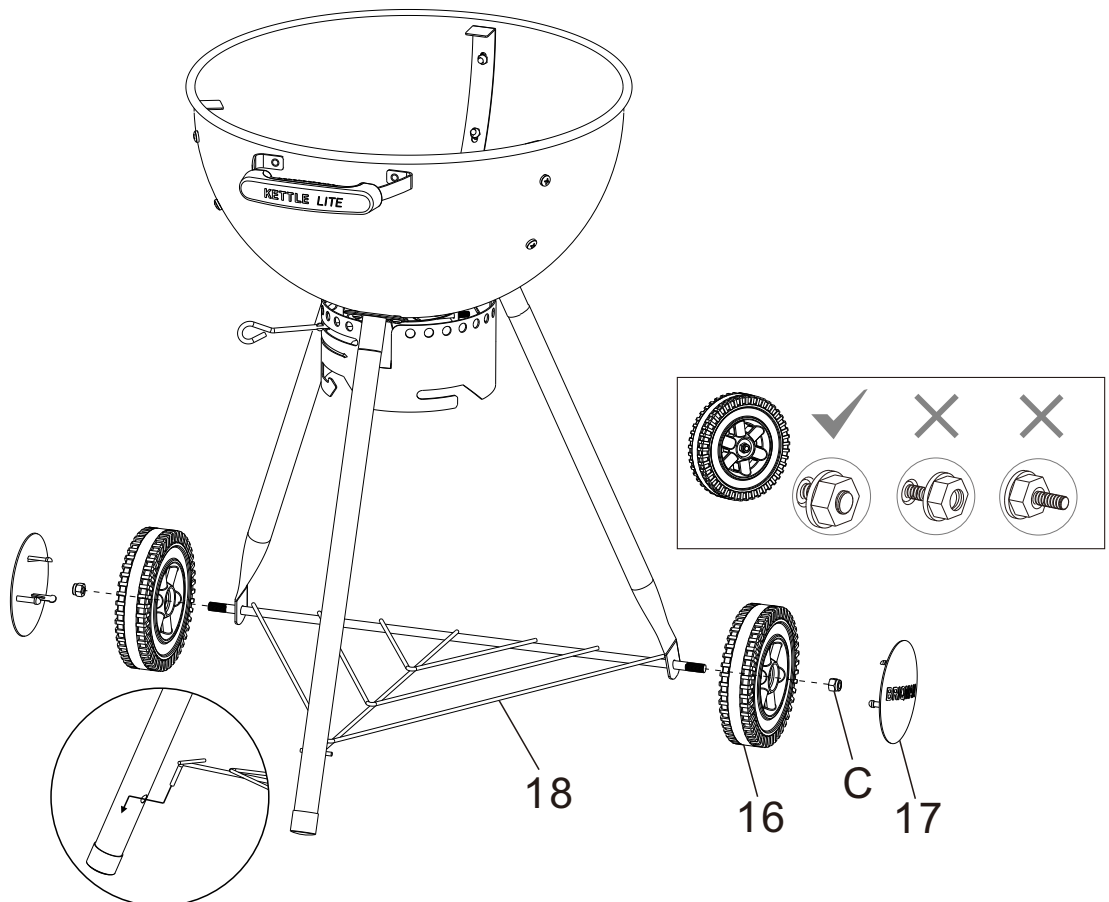
4



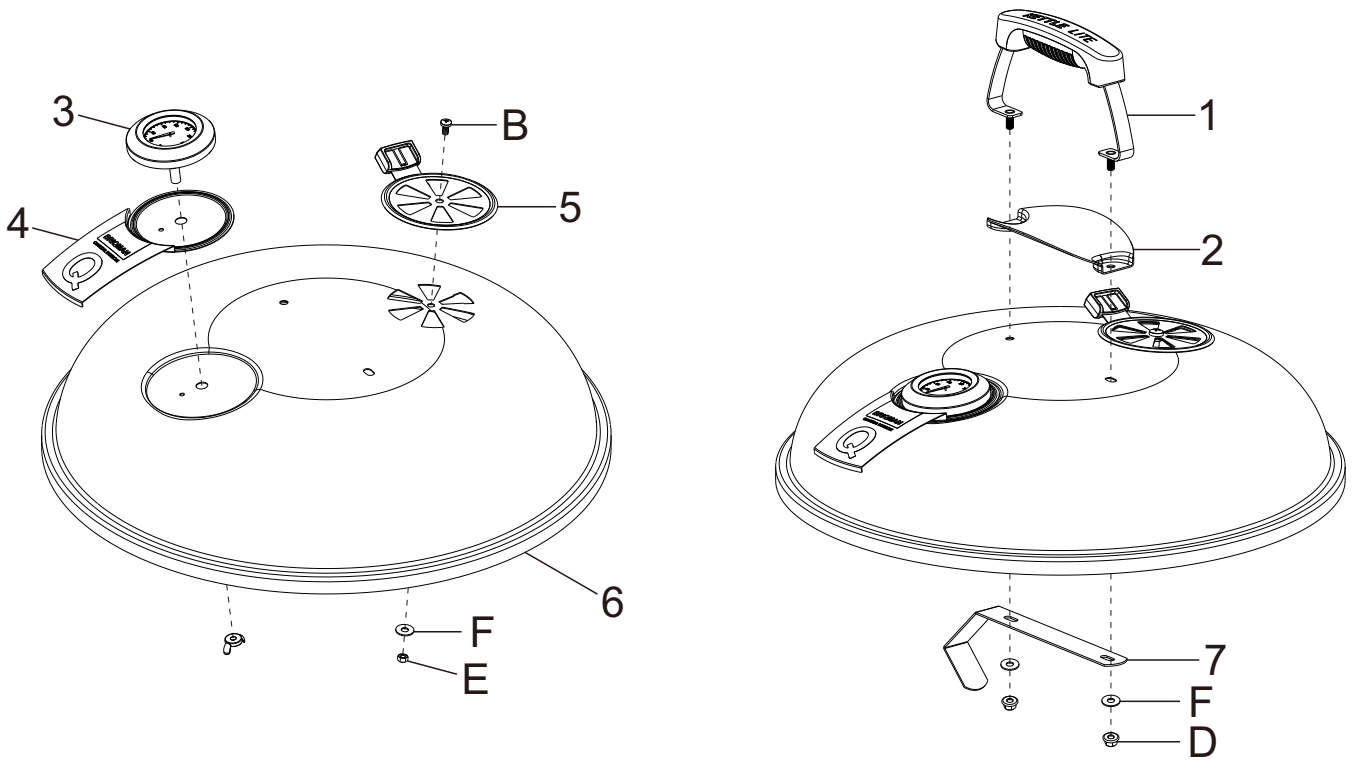
5



6



# 7



# 8

