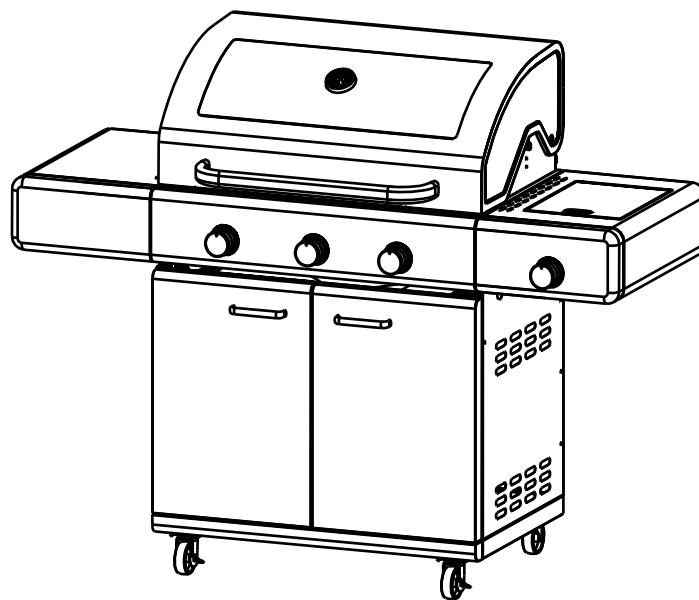
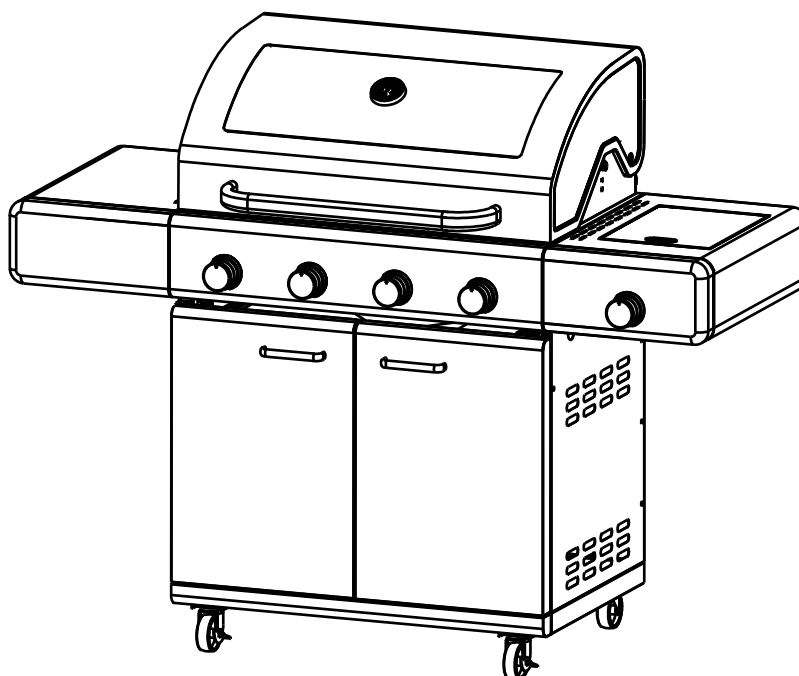


# BRIQMAN

GAS GRILL BRIQMAN ECLIPSE 3



GAS GRILL BRIQMAN ECLIPSE 4



# Contents

Safety Information .....	3
Exploded Drawing .....	5
Hardware Contents .....	11
Assembly .....	12
Assembly Instructions .....	12
Technical Data .....	23
Leak Testing .....	24
Operation .....	25
Operation Instructions .....	26
Care and Maintenance .....	27
Troubleshooting .....	29

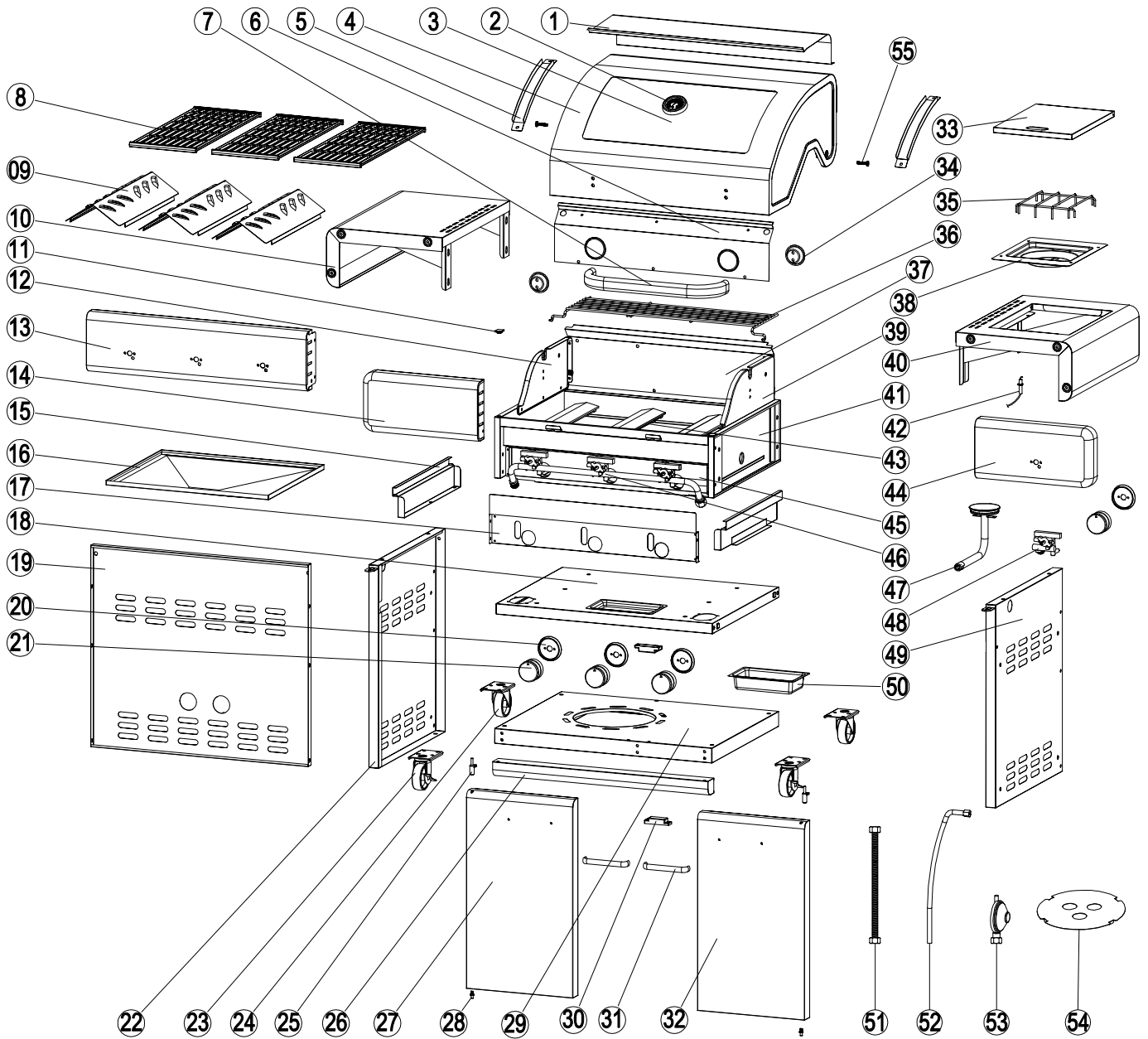
# Safety Information

Read the instructions before using the appliance

- The Operator should have read and understood all the safety factors as explained in this manual before using this unit. He/She is also responsible for all third parties whilst the BBQ unit is in use.
- If you have any queries regarding these instructions, contact your local dealer before use.
- The manufacturer's warranty may be voided by incorrect use of this product.
- The unit should be correctly assembled before use.
- Failure to follow the manual's instructions could result in serious injury or damage.
- Do not use indoors; barbecue units are designed for Use outdoors only!
- Do not use aerosols near this barbecue, or place near the barbecue.
- Ensure all gas fittings are correctly and firmly fitted.
- Leak test all gas lines and connections before use.
- Do not store flammable materials near the barbecue.
- This appliance must be kept away from flammable materials during use. Do not use within one meter of any flammable surface or structure.
- Use standard bottle approved for use in this gas grill, 13kg/14kg gas bottle are recommended. Even though butane and propane gas can be used, we recommend propane for use in this gas grill.
- Never move this barbecue whilst hot or alight.
- Never leave the BBQ unattended when operational. Do not move the appliance during use.
- Ensure that the barbecue is on an even and secure surface before operating.
- This barbecue unit will get extremely hot, which can cause serious burns - test every surface before touching. Keep children and animals away during use.
- Use protective gloves when handling particularly hot components.
- Onlookers should stand a safe distance away from the BBQ whilst operational.
- Ensure that the Gas supply is turned OFF after use or when unattended.
- No liability will be accepted by the Manufacturer or their agents for damage or unsuitability of any food that may be cooked on this barbecue. Food should be constantly attended during the cooking process.
- When igniting BBQ, always open the hood before lighting.
- DO NOT store or use gasoline or any other flammable vapors and liquids within 8m of this or any other appliance.
- A Cylinder not connected for use should be stored a minimum of 3m away from this or any other appliance.
- If you smell gas:
  - Turn off gas supply at the gas cylinder.
  - Turn off the valve at control panel. Extinguish any open flame.
  - If odour continues, immediately call your gas supplier or fire department.
- Never use charcoal or lighter fluid with the grill.
- Do not use the grill unless it is completely assembled and all parts are securely fastened and tightened.
- Do not alter this grill in any manner. Do not modify the appliance. Any modification of the appliance may be dangerous.

# Exploded Drawing

## GAS GRILL BRIQMAN ECLIPSE 3



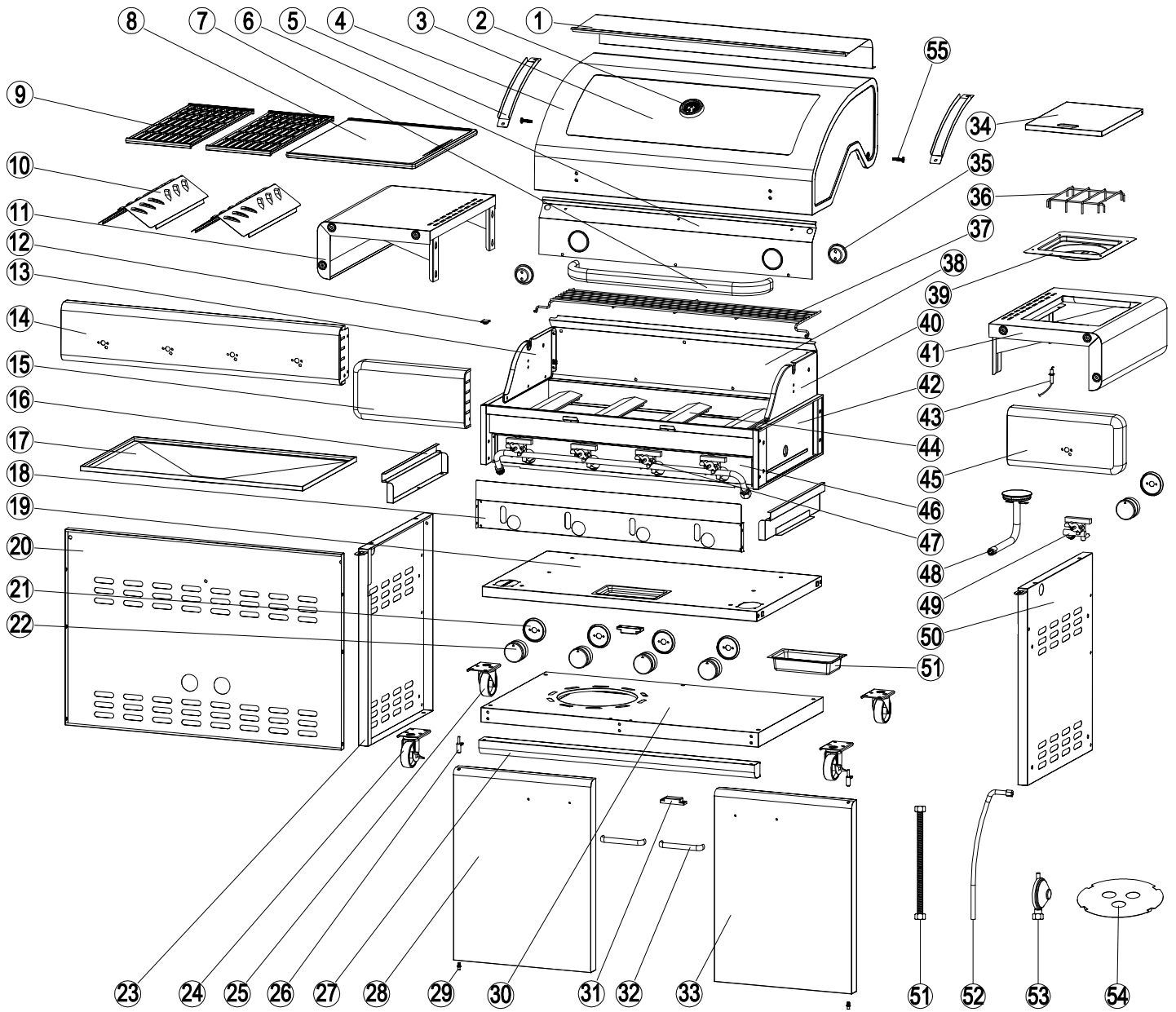
# Parts List

## PARTS LIST GAS GRILL BRIQMAN ECLIPSE 3

①	Hood inner panel--rear	1x	③①	Door handle	2x
②	Thermometer	1x	③②	Right door	1x
③	Hood assembly	1x	③③	Side burner lid	1x
④	Glass fixing plate	2x	③④	Hood handle connection cap	2x
⑤	Hood inner panel--front	1x	③⑤	Side burner trivet	1x
⑥	Hood handle	1x	③⑥	Warming rack	1x
⑦	Hotplate	1x	③⑦	Rear windshield	1x
⑧	Cooking grill	3x	③⑧	Spill tray	1x
⑨	Flame tamer	3x	③⑨	Right windshield	1x
⑩	Side shelf	1x	④①	Side burner shelf	1x
⑪	Rubber bumper	4x	④②	Firebox assembly	1x
⑫	Left windshield	1x	④③	Side burner electrode	1x
⑬	Control panel	1x	④④	Cast iron main burner	3x
⑭	Side shelf front panel	1x	④⑤	Side burner front panel	1x
⑮	Support bracket	2x	④⑥	Inner heat shield	1x
⑯	Grease channeling tray	1x	④⑦	Manifold assembly	1x
⑰	Outer heat shield	1x	④⑧	Side burner	1x
⑱	Cabinet top panel	1x	④⑨	Side burner valve	1x
⑲	Cart back panel	1x	⑤①	Cart right side	1x
⑳	Bezel	4x	⑤②	Grease cup	1x
㉑	Control knob	4x	⑤③	Corrugated pipe	1x
㉒	Cart left panel	1x	⑤④	Hose	1x
㉓	Castor with brake	2x	⑤⑤	Regulator	1x
㉔	Castor without brake	2x	⑤⑥	Cylinder cover plate	1x
㉕	Door Spring pin	2x	⑤⑦	Hood hinge	2x
㉖	Kick plate	1x			
㉗	Left door	1x			
㉘	Door lower pin	2x			
㉙	Bottom shelf	1x			
㉚	Magnet	2x			

# Exploded Drawing

## GAS GRILL BRIQMAN ECLIPSE 4



# Parts List

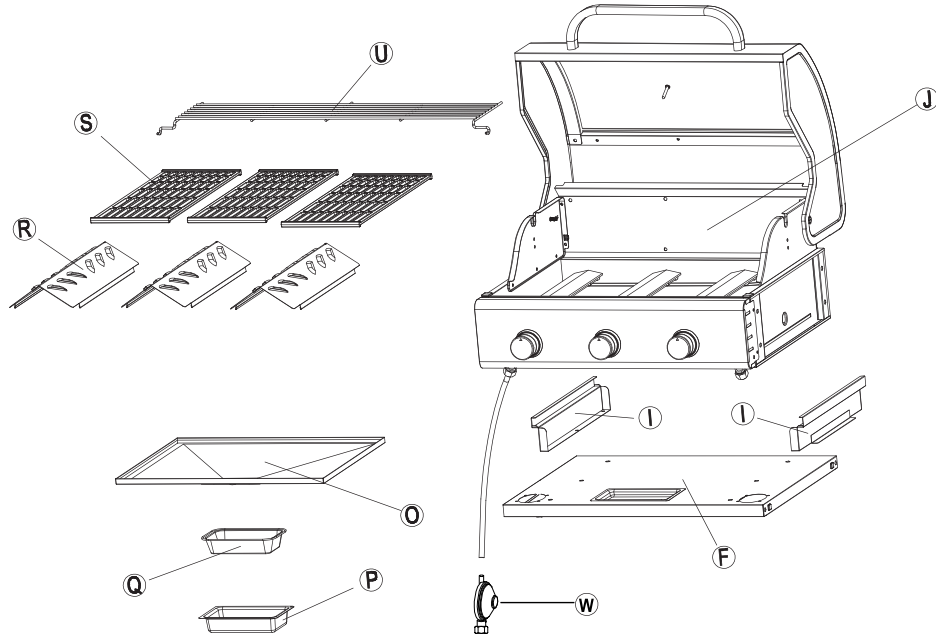
## PARTS LIST GAS GRILL BRIQMAN ECLIPSE 4

①	Hood inner panel--rear	1x	③①	Door handle	2x
②	Thermometer	1x	③②	Right door	1x
③	Hood assembly	1x	③③	Side burner lid	1x
④	Glass fixing plate	2x	③④	Hood handle connection cap	2x
⑤	Hood inner panel--front	1x	③⑤	Side burner trivet	1x
⑥	Hood handle	1x	③⑥	Warming rack	1x
⑦	Hotplate	1x	③⑦	Rear windshield	1x
⑧	Cooking grill	2x	③⑧	Spill tray	1x
⑨	Flame tamer	2x	③⑨	Right windshield	1x
⑩	Side shelf	1x	④①	Side burner shelf	1x
⑪	Rubber bumper	4x	④②	Firebox assembly	1x
⑫	Left windshield	1x	④③	Side burner electrode	1x
⑬	Control panel	1x	④④	Cast iron main burner	4x
⑭	Side shelf front panel	1x	④⑤	Side burner front panel	1x
⑮	Support bracket	2x	④⑥	Inner heat shield	1x
⑯	Grease channeling tray	1x	④⑦	Manifold assembly	1x
⑰	Outer heat shield	1x	④⑧	Side burner	1x
⑱	Cabinet top panel	1x	④⑨	Side burner valve	1x
⑲	Cart back panel	1x	⑤①	Cart right side	1x
⑳	Bezel	5x	⑤②	Grease cup	1x
㉑	Control knob	5x	⑤③	Corrugated pipe	1x
㉒	Cart left panel	1x	⑤④	Hose	1x
㉓	Castor with brake	2x	⑤⑤	Regulator	1x
㉔	Castor without brake	2x		Cylinder cover plate	1x
㉕	Door Spring pin	2x		Hood hinge	2x
㉖	Kick plate	1x			
㉗	Left door	1x			
㉘	Door lower pin	2x			
㉙	Bottom shelf	1x			
㉚	Magnet	2x			

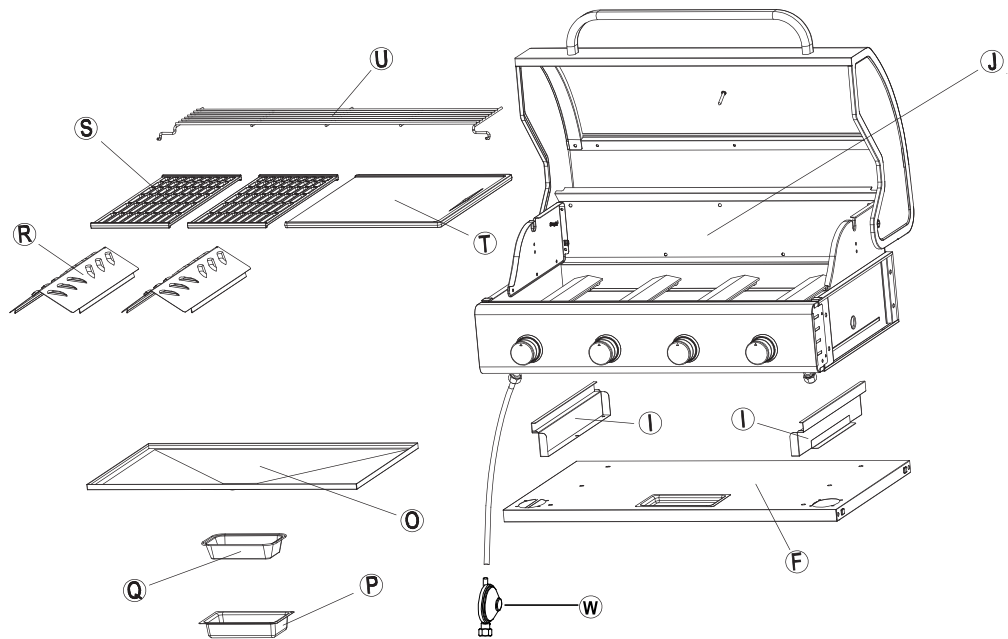
# Exploded Drawing

CHECK THAT YOU HAVE ALL THE PARTS:

GAS GRILL BRIQMAN ECLIPSE 3



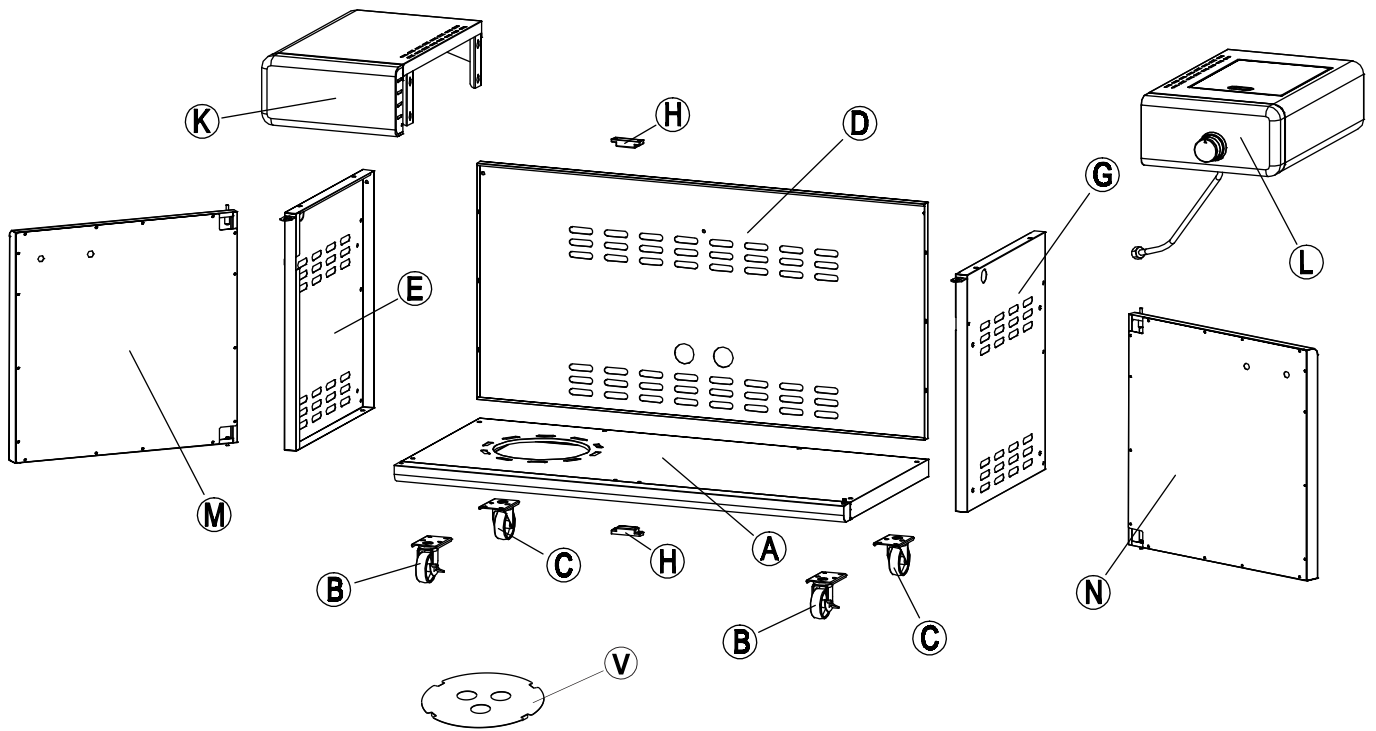
GAS GRILL BRIQMAN ECLIPSE 4











# Exploded Drawing

CART



# Hardware Contents

Item	Description	4B Cart Model	6B Cart Model	Picture
		Quantity	Quantity	
<b>M6R</b>	M6x15mm Round head screw	40	40	
<b>M6F</b>	M6x15mm Flat head screw	9	9	
<b>M4</b>	M4x12mm Screw	4	4	
<b>Spring</b>	Ø6mm Spring washer	16	16	
<b>Washer</b>	Ø6mm Washer	4	4	
<b>M5</b>	M5x10mm Screw	2	2	

## PREPARATION

1. Before beginning assembly of product, make sure all parts are present. Compare parts with package contents list and diagram above. If any part is missing or damaged, do not attempt to assemble the product. Contact customer service for replacement parts. 2. To have a simplify packaging, the fat tray is turned around and placed underneath of firebox, please take out the fat tray when you take out the firebox and install the fat tray with correct way as Step 7.

Estimated Assembly Time: 30~40 minutes

Tools Required for Assembly (not included);



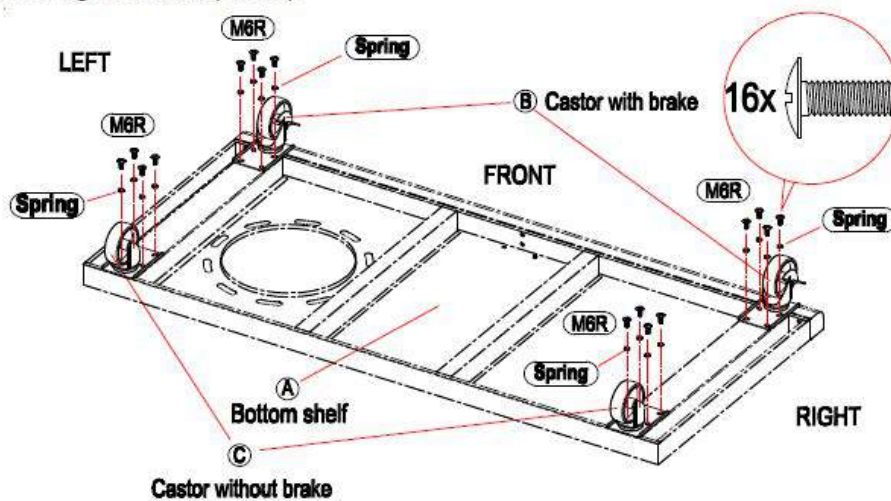
# Assembly

## Step 1:

What you need:

- 1 x (A) Bottom shelf
- 2 x (B) Castors with brake
- 2 x (C) Castors without brake
- 16 x (M6R) 15mm Round Head Screws
- 16 x (Spring) 6mm washers

- a) Assemble 2 x (B) Castors with brake at the FRONT two locations on the underside of the (A) Bottom shelf, each with 4 x (M6R) 15mm Round Head Screws and 4 x (Spring) 6mm washers as shown.
- b) Install the other 2 x (C) Castors without brake at the BACK two locations on the underside of the (A) Bottom shelf, each with 4 x (M6R) 15mm Round Head Screws and 4 x (Spring) 6mm washers as shown.
- c) Ensure ALL screws are tightened very firmly.

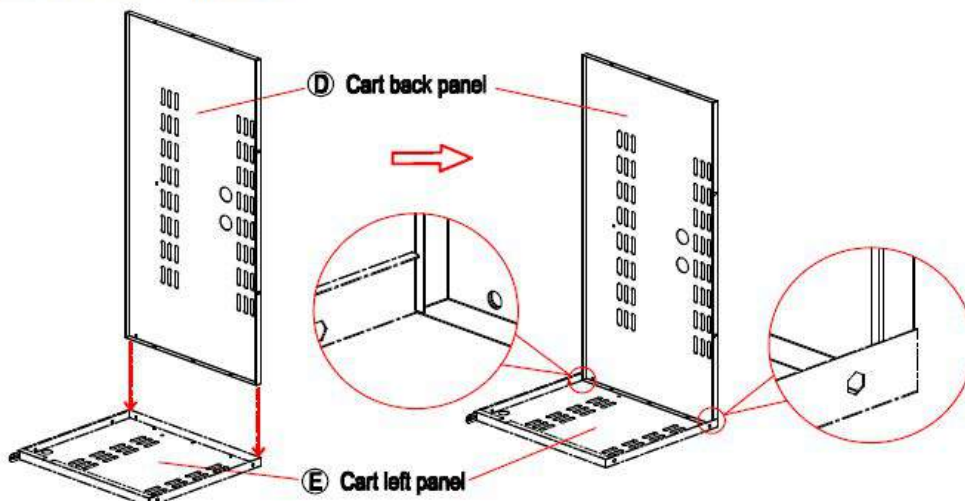


## Step 2:

What you need:

- 1 x (D) Cart back panel
- 1 x (E) Cart left panel

- (a) On a clean soft flat surface (such as the unfolded carton that the barbeque came in), lay down the (E) Cart left panel as shown below
- (b) Insert the (D) Cart back panel into the (E) Cart left panel as shown, taking care to align it into the cut out slots so that it fits in squarely and neatly.



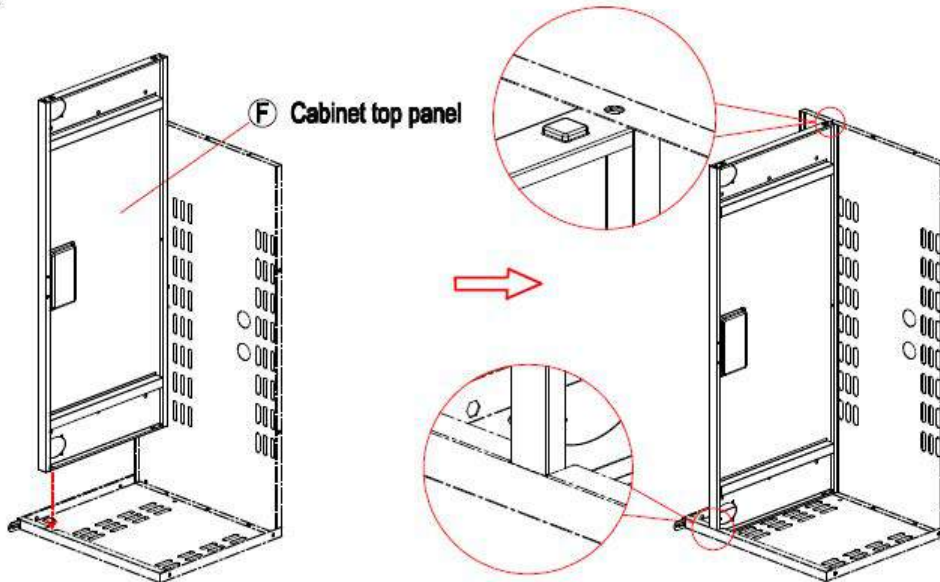
# Assembly

## Step 3:

What you need:

1 x (F) Cabinet top panel (please note that this panel is packed in the BBQ carton)

(a) Insert the (F) Cabinet top panel into the assembly as shown below, taking care to align it into the cut out slots so that it fits squarely and neatly. Make sure it fits **inside** the cart back panel and that the bolt hole aligns as shown.

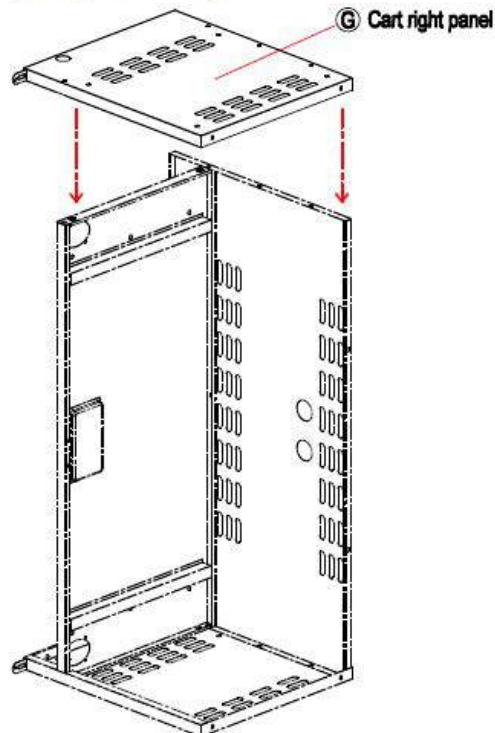


## Step 4:

What you need:

1 x (G) Cart right panel

(a) Fit the (G) Cart right panel onto the assembly as shown below, taking care to align the cut out slots onto the panels below so that it fits squarely and neatly.





# Assembly

## Step 5:

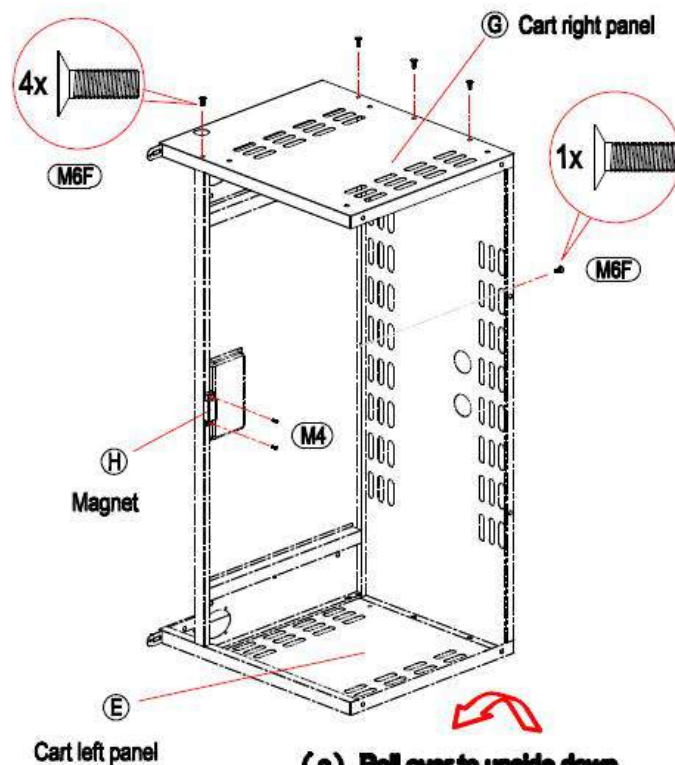
What you need:

9 x (M6F) 15mm Flat Head Screws

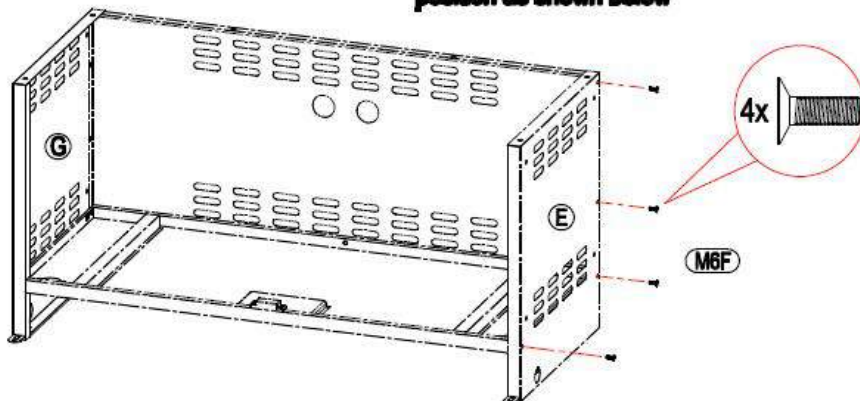
1 x (H) Magnet

2 x (M4) 12mm screws

- Fix the (G) **Cart right panel** in place as shown below using 4 x (M6F) 15mm Flat Head Screws. Fix the cart back panel to the middle of the cart top panel as shown below using 1 x (M6F) 15mm Flat Head Screw. Tighten firmly.
- Fit the (H) **Magnet** into place on the underside of the Cabinet top panel as shown using 2 x (M4) 12mm screws. The metal parts of the magnet should be facing outwards. There is some adjustment available in the position of the magnet, position it as far outwards as it can at this stage. Tighten firmly.
- Carefully roll the assembly over to an **upside down** position as shown.
- Fix the (E) cart left panel in place as shown below using 4 x (M6F) 15mm Flat Head Screws. Tighten firmly.



(c) Roll over to upside down position as shown below



# Assembly

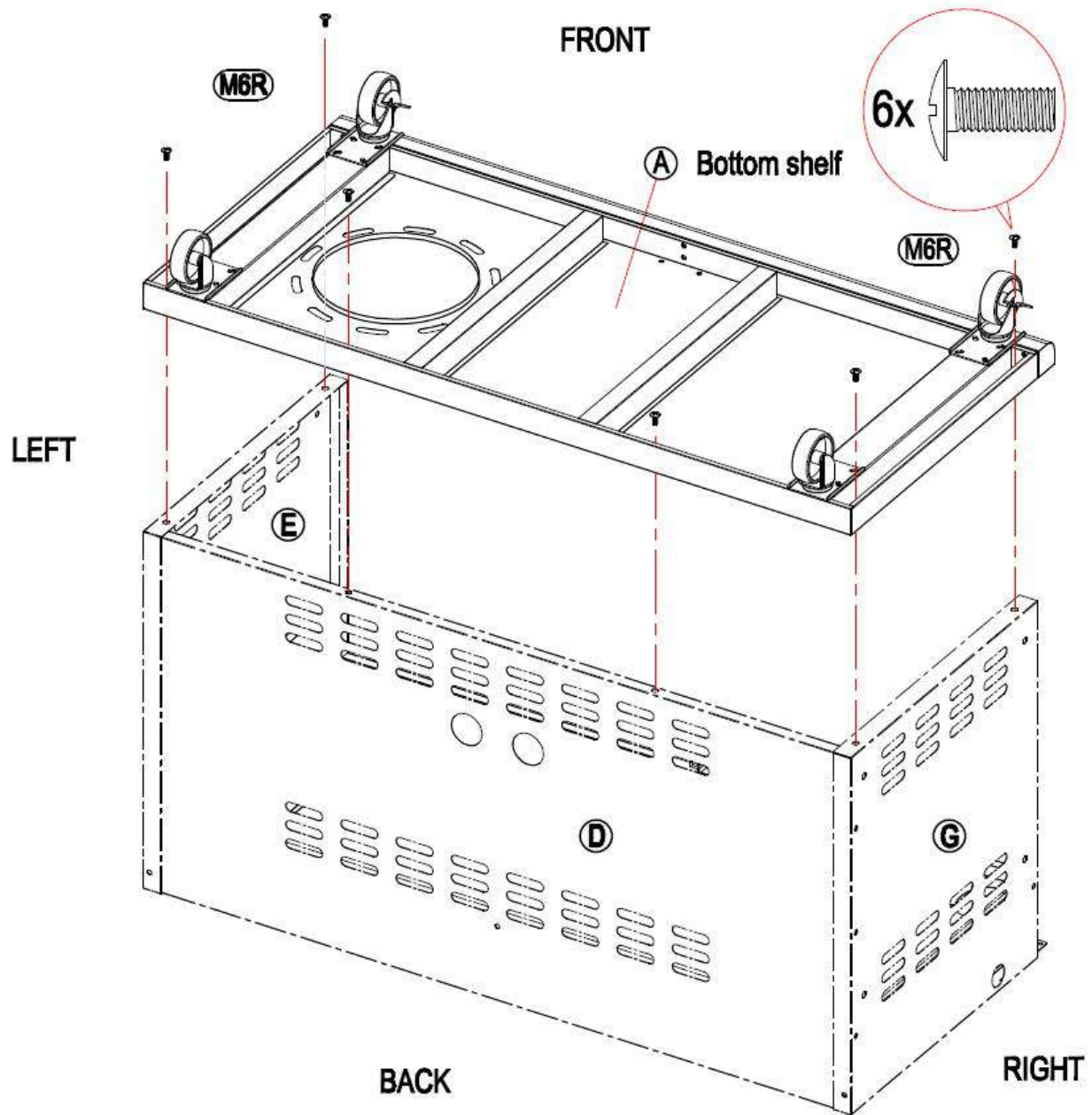
## Step 6:

What you need:

1 x (A) Bottom shelf with castors fitted from step 1

6 x (M6R) 15mm Round Head Screws

Fix the (A) Bottom shelf with castors fitted in place to the assembly as shown below using 6 x (M6R) 15mm Round Head Screws. Make sure it's the same orientation as the picture. Tighten all screws firmly.



# Assembly

## Step 7:

What you need:

2 x (I) Support brackets

6 x (M6R) 15mm Round Head Screws

1 x (O) Grease channeling tray

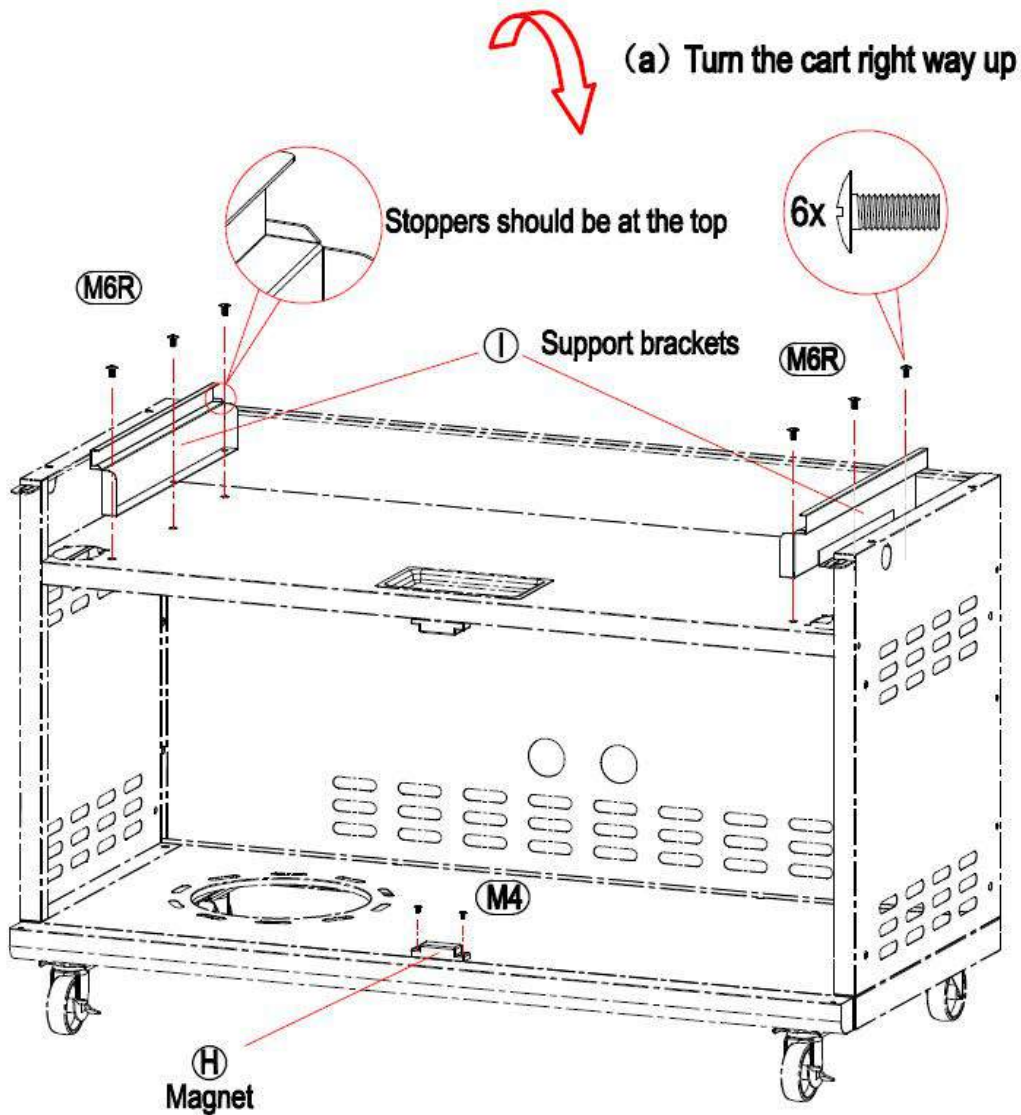
1 x (H) Magnet

2 x (M4) 12mm screws

(a) Carefully turn the cart the right way up.

(b) Fix the 2 x (I) **Support brackets** in place as shown below using 6 x (M6R) 15mm Round Head Screws. Make sure they are the same orientation as the picture – the stoppers should be at the top inside as detailed. Tighten firmly. Check that brackets are correctly positioned by fitting the (O) **Grease channeling tray** into position, then remove it again at this stage.

(c) Fit the (H) **Magnet** into place on the top of the bottom shelf as shown using 2 x (M4) 12mm screws. The metal parts of the magnet should be facing outwards. There is some adjustment available in the position of the magnet, position it as far outwards as it can at this stage. Tighten firmly.





# Assembly

## Step 8:

### What you need:

1 x (J) BBQ head (make sure flame tamers, hotplate, grills and warming rack are removed)

4 x (M6R) 15mm Round Head Screws

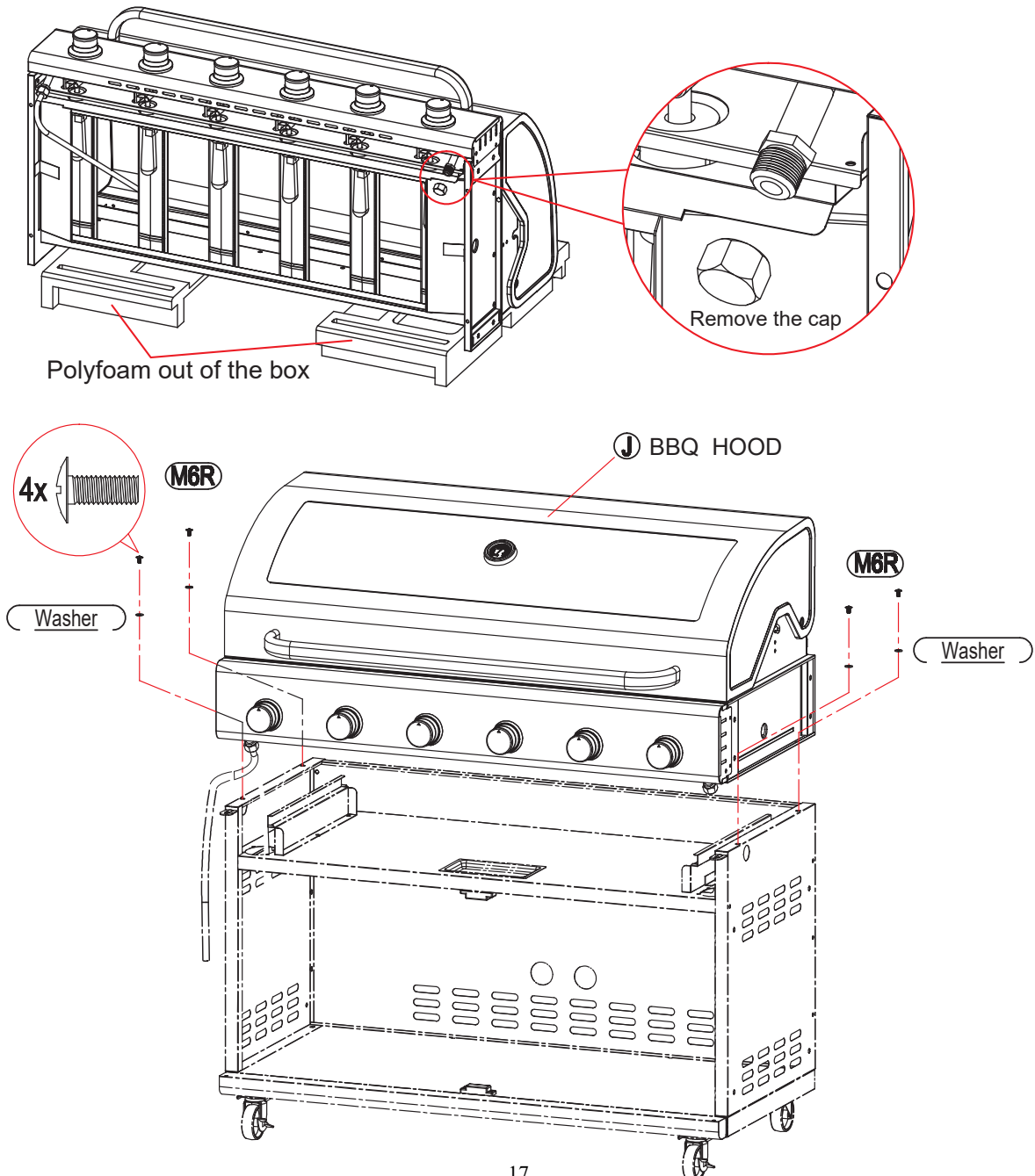
4 x (Washer) 6mm fibre washers

(a) For cart models, the ½" BSP cap on the right hand side manifold outlet needs to be removed so the side burner hose can later be attached. Use two spanners, one to hold the manifold, one to turn the cap anticlockwise.

(b) Undo the twist ties to release the hose and regulator assembly from its transport position.

(c) With the help of at least one other person, carefully lift and align the (J) BBQ head onto the cart assembly as shown. The hose and regulator needs to be guided through the hole in the left side of the cabinet top panel as shown below.

(d) Fix the BBQ head into place with 4 x (M6R) 15mm Round Head Screws and 4 x (Washer) 6mm fibre washers as shown. The washers need to fit against the metal surface of the bbq head. Tighten firmly.





# Assembly

## Step 9:

What you need:

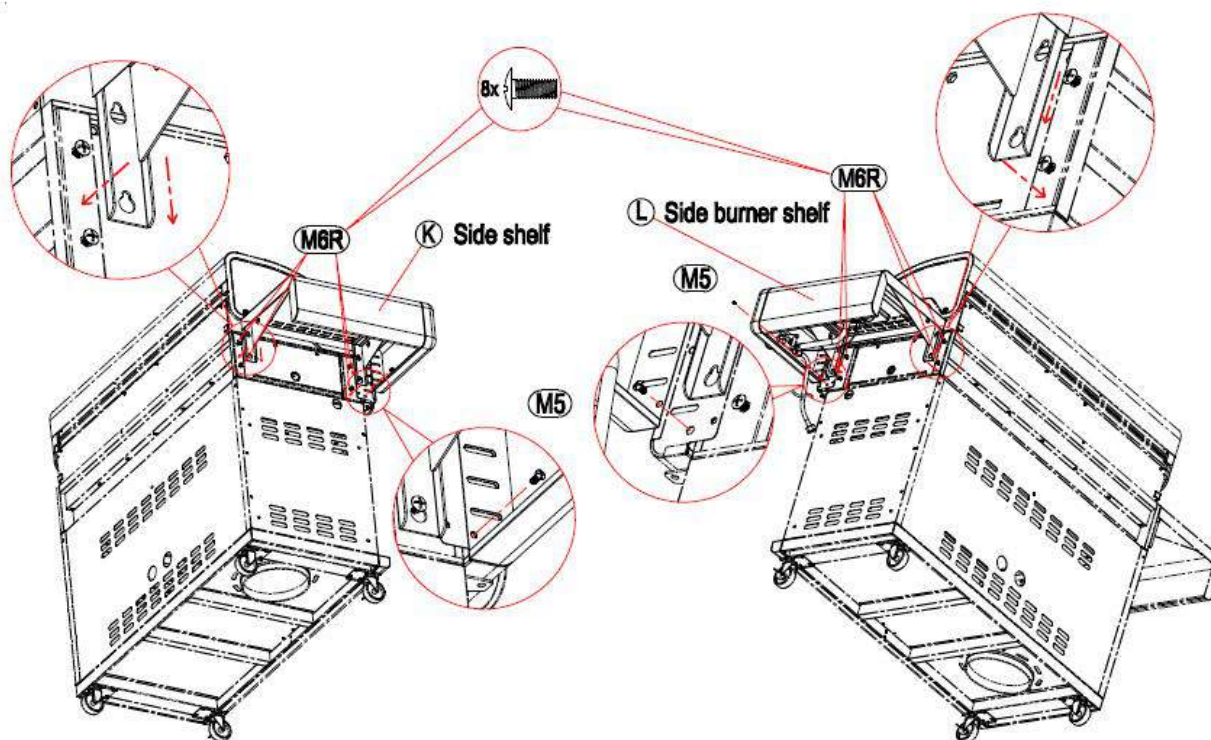
1 x (K) Left side shelf

1 x (L) Side burner shelf

8 x (M6R) 15mm Round Head Screws

2 x (M5) 10mm screws

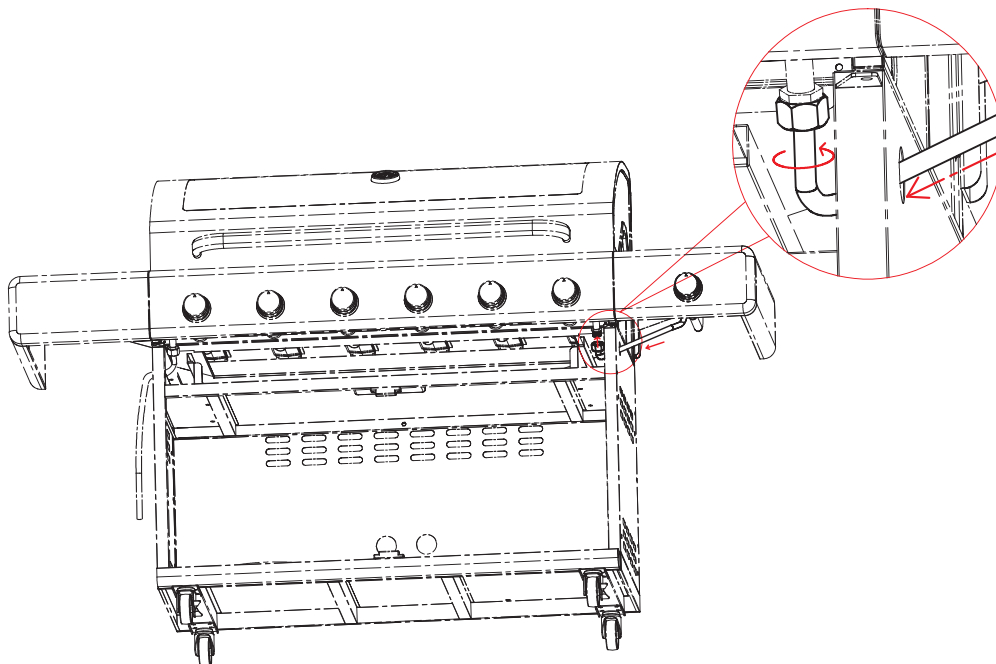
- (a) Screw 4 x (M6R) 15mm Round Head Screws into the left side of the firebox as below, but leaving about 10mm of thread exposed.
  - (b) Fit the (K) Left side shelf onto the loosened screws, taking care to align all the shelf keyholes into place onto the thread. Tighten the screws firmly.
  - (c) Fit into place 1 x (M5) 10mm screw through the front fascia of the shelf into the bbq control panel.  
*Carefully align the side shelf front fascia to control panel, then tighten the screws firmly.*
  - (d) Screw 4 x (M6R) 15mm Round Head Screws into the right side of the firebox but leaving about 10mm of thread exposed.
  - (e) Fit the (L) Right side burner shelf onto the loosened screws, taking care to align all the shelf keyholes into place onto the thread.
  - (f) Fit into place 1 x (M5) 10mm screw through the front fascia of the side burner into the bbq control panel.  
*Carefully align the side burner shelf front fascia to control panel, then tighten the screws firmly.*
- Tighten the screws firmly.



# Assembly

## Step 10:

- (a) The side burner corrugated metal hose is factory fitted to the side burner inlet. Thread the corrugated side burner hose through the access hole in the cart as shown. Attach it to the right hand side manifold outlet using two spanners, one to hold the manifold steady, one to tighten the nut clockwise. Make sure to conduct the leak test as outlined later before first use.

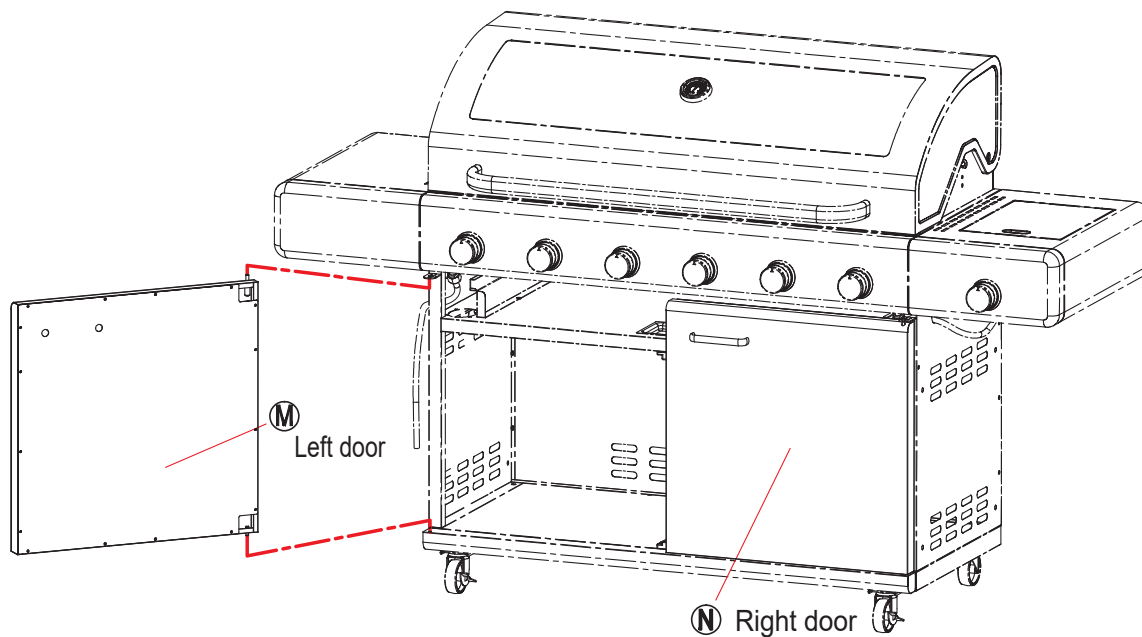


## Step 11:

What you need:

- 1 x (M) Left door
- 1 x (N) Right door

- (a) Attach the (M) Left door and (N) Right door by locating the bottom pin into the hole in the bottom shelf, then compress the top pin and release it into the hole in the bracket at the top of the cart side panel.
- (b) The door levels can be adjusted a little if necessary by adjusting the nut at the door bottom pin to lift or lower the door as required. It is easier to remove the door again to do this. To remove the door, use a screwdriver to push the top pin down, then tilt the door out and lift upwards.



# Assembly

## Step 12:

What you need:

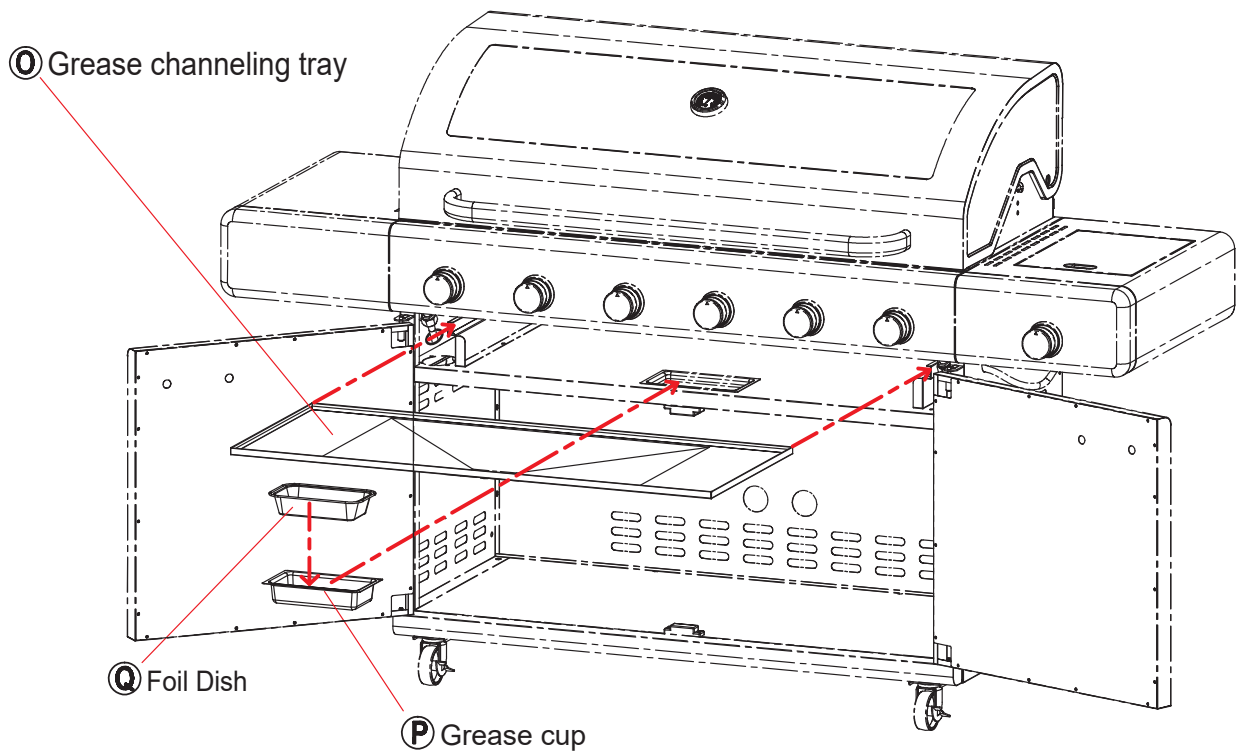
1 x (O) Grease channeling tray

1 x (P) Grease Cup

1 x (Q) Foil Dish

(a) Fit the (Q) Foil Dish into the (P) Grease Cup and locate the grease cup into position in the cabinet top panel as shown.

(b) Fit the (O) Grease channeling tray into the support brackets. Slide it all the way back to the stoppers.





## Step 13:

What you need:

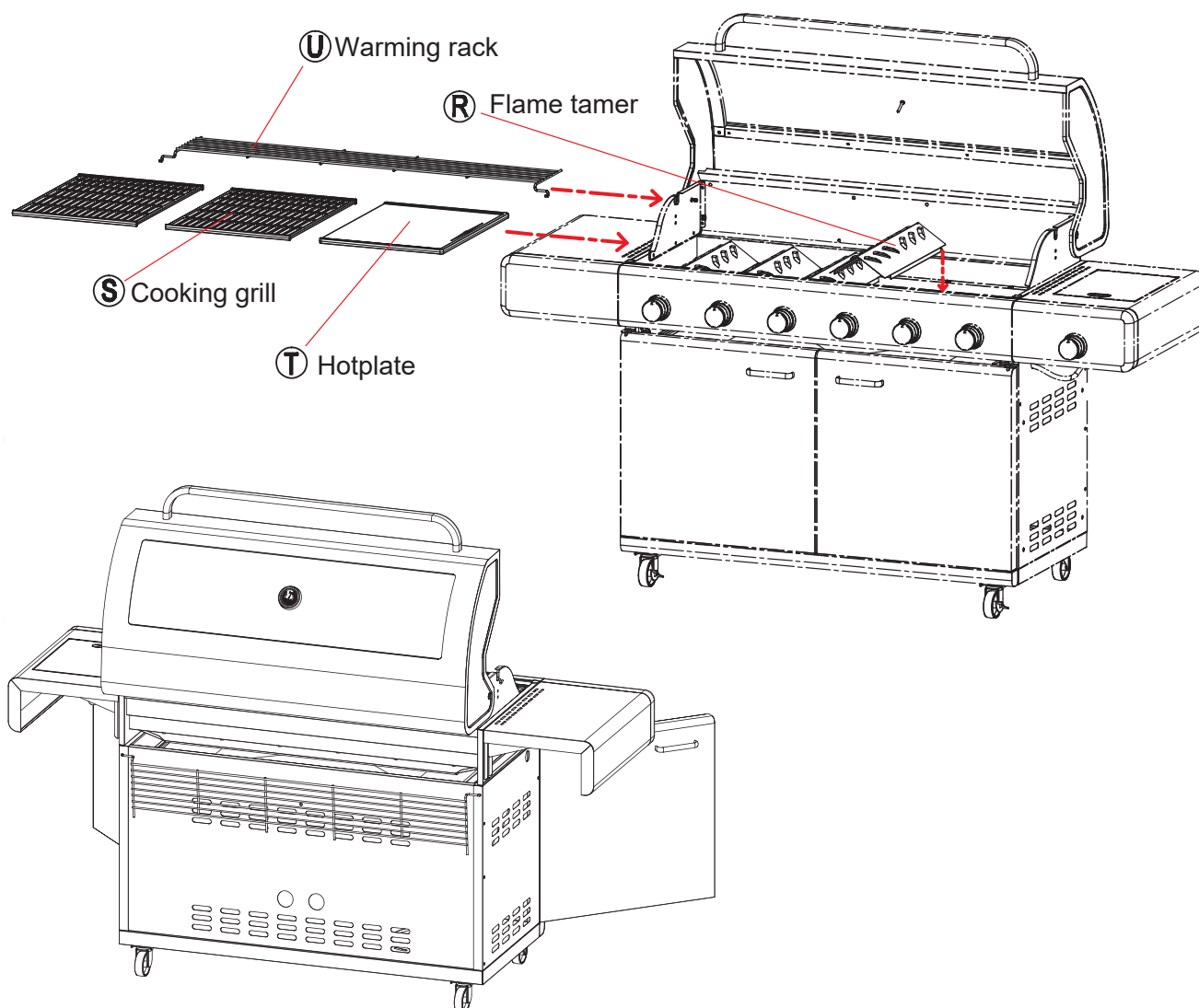
2 x (R) Flame tamers (4 pieces for 6 Burner model)

2 x (S) Cooking grills

1 x (T) Hotplate

1 x (U) Warming rack

- (a) Insert the (R) **Flame tamers** onto the ledge above the burners (2pcs for 4 burner, 4pcs for 6 burners) on the left side of the barbeque as shown. The cooking grills will go above the flame tamers. There is no need for flame tamers under the hotplate.
- (b) Fit the 2 x (S) **Cooking grills** onto the ledge above the flame tamers as shown.
- (c) Fit the (T) **Hotplate** into place on the right side of the barbeque as shown at the same height level as the cooking grills. For the 4 burner model **NEVER** increase the proportion of hotplate to more than the 50% initially supplied as that can dangerously overheat the bbq. The 6 burner model is initially supplied with 1/3 hotplate, it is OK to purchase and use up to 2/3 as hotplate but **NEVER** exceed 2/3 hotplate as that can dangerously overheat the bbq.
- (d) Fit the (U) **Warming rack** into place into the holes in the back windshield of the bbq and resting on the cutouts in the side windshields as shown. When the warming rack is not required, for cart models, it can hang out of the way on the back of the bbq as shown below.



# Assembly

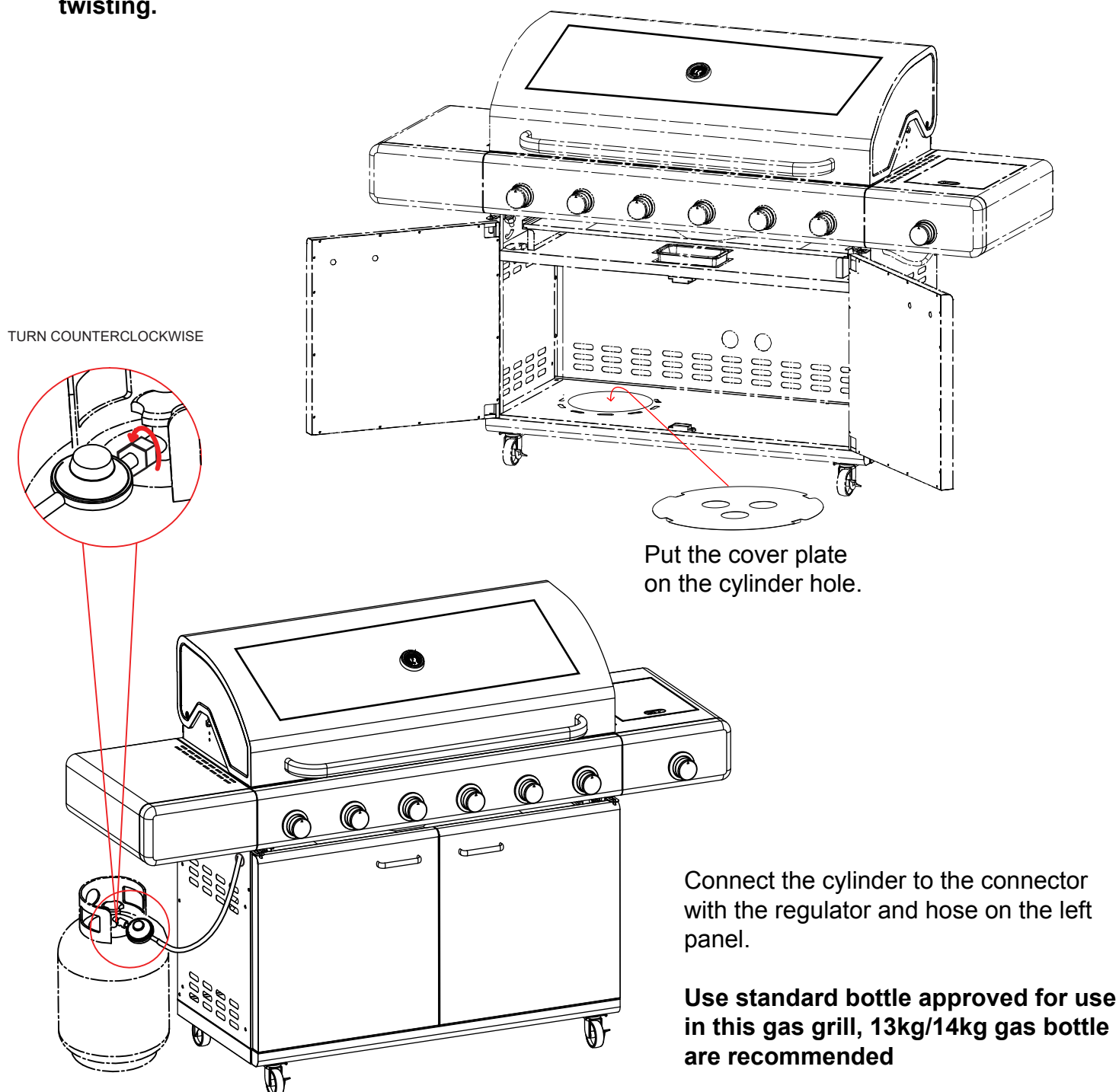
## Step 14:

Attach the hose and regulator to manifold connection as shown below;  
Place the gas cylinder (sold separately) into the cabinet, then connect the regulator to cylinder as shown below;

**Warning: CONDUCT LEAK TEST BY SOAP WATER AFTER ASSEMBLY.**

**The necessity of changing the flexible tube when the national conditions require it, and/or depending on its validity;**

**The position of the connection flexible tube so as to ensure that it is not subjected to twisting.**



### Cleaning the burner assembly – Make sure the grill is cool

1. Turn gas off at the control knobs and LPG cylinder.
2. Remove cooking grill & plate and flame tamers.
3. Remove burner by taken off the R clip from rear end of burner.
4. Lift burner up and away from gas valve orifice.
5. Clean inlet (venturi) of burner with small bottle brush or compressed air.
6. Remove all food residue and dirt on outside of burner surface.
7. Clean any clogged ports with a stiff wire (such as an opened paper clip).
8. Inspect burner for any damage (cracks or holes), If damage is found, replace with new burner. Reinstall burner, check to ensure that gas valve orifices are correctly positioned inside burner inlet (venturi)
- 9.



1. Overlap 15mm between venturi tube and nozzle when assembled.
2. Keep the center line of venturi tube and nozzle on one line.

**WARNING:** If the instructions above are not followed, an explosion may result, possibly causing serious bodily injury or death